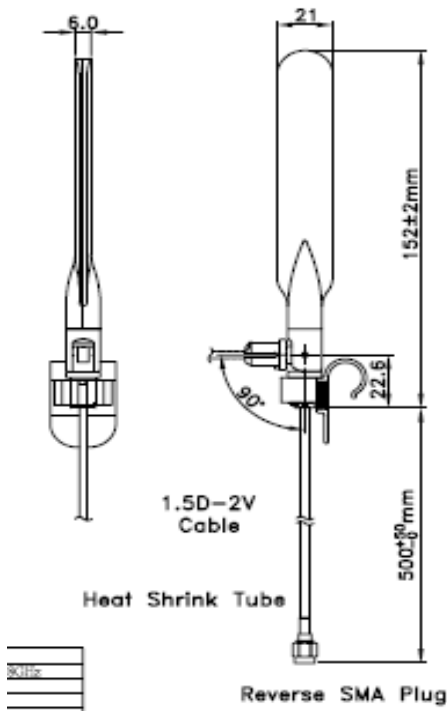


Electrical Specification

Frequency Range	2.4	5.2	5.8
Gain	4	5	4.5
VSWR	<=2.0		
Polarization	Vertical		
Radiation pattern	Omni		
Impedance	50ohms		
Connector	Reverse SMA Plug		
Cable	1.5D-2V,Black, Length 500mm		

Environment & Mechanical Specification

Temperature	-20°C ~ + 60°C
Whip	PU/PC
Connector	Brass
Weight	40g



*** Subject to change without prior notice