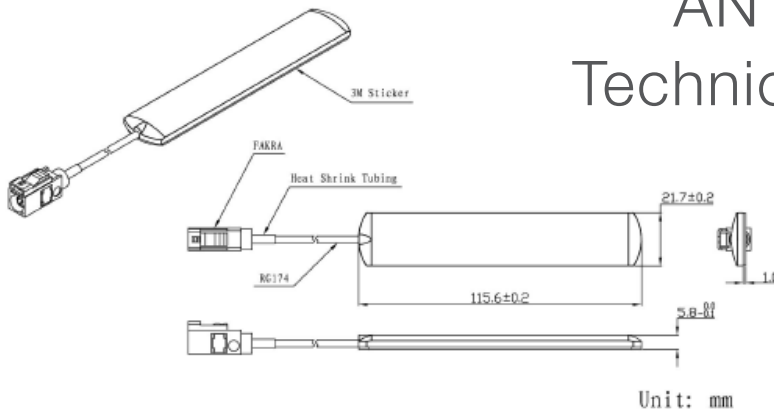


WiFi Antenna

ANT-269

Technical Sheet



Specifications:

Antenna	Frequency Range	2400-2483.5MHz
	Polarisation	Linear
	Gain (Zenith)	3.0dBi
	V.S.W.R (min)	<2.0
	Impedance	50 Ω
	PCB Dimension	104.6*15*1mm
Mechanical	Cable	RG174
	Connector	FAKRA/SMA or others
	Line Connector	SMA Male
	Radome Material	ABS
	Mounting Method	Adhesive
Environmental	Operating Temperature	-40°C ~ + 85°C
	Relative Humidity	Up to 95%
	Vibration	10 to 55Hz with 1.5mm amplitude 2hrs
	Environmentally Friendly	ROHS Compliant

Radiation Pattern:

