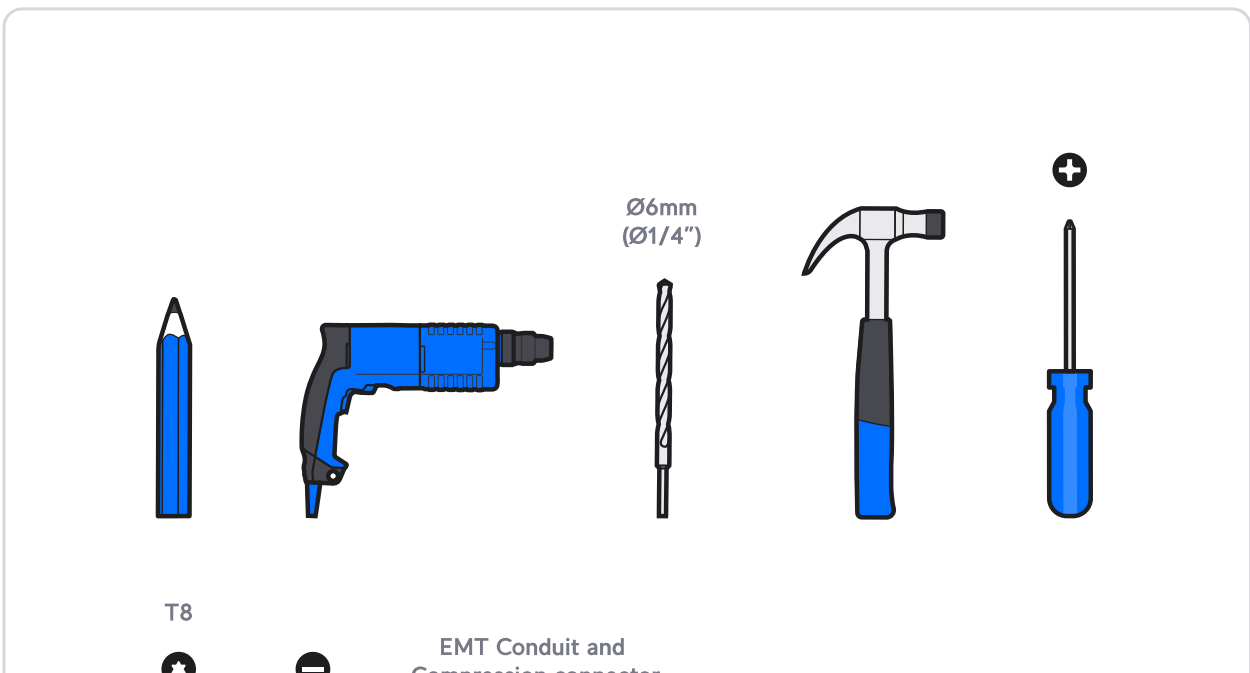
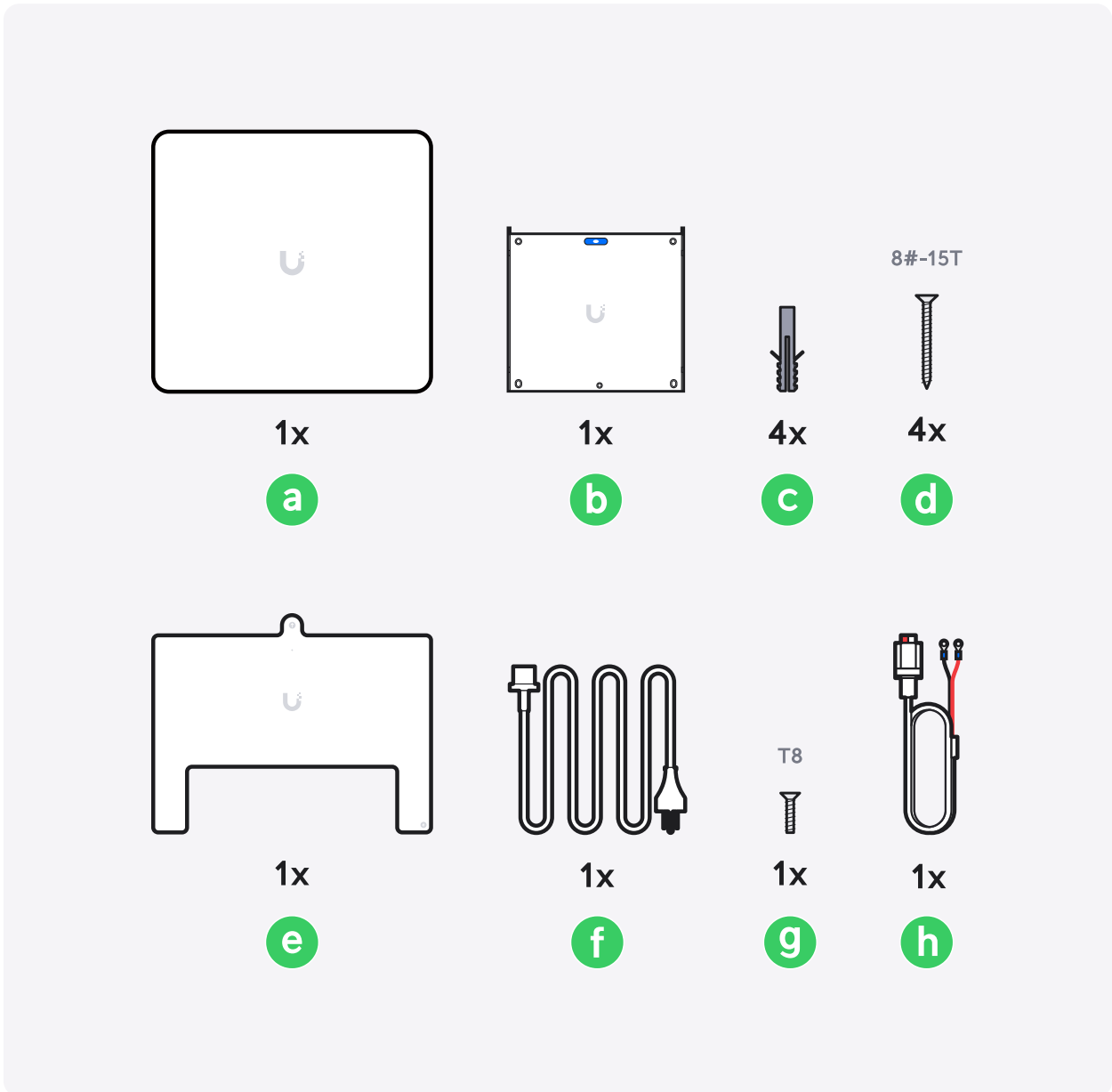
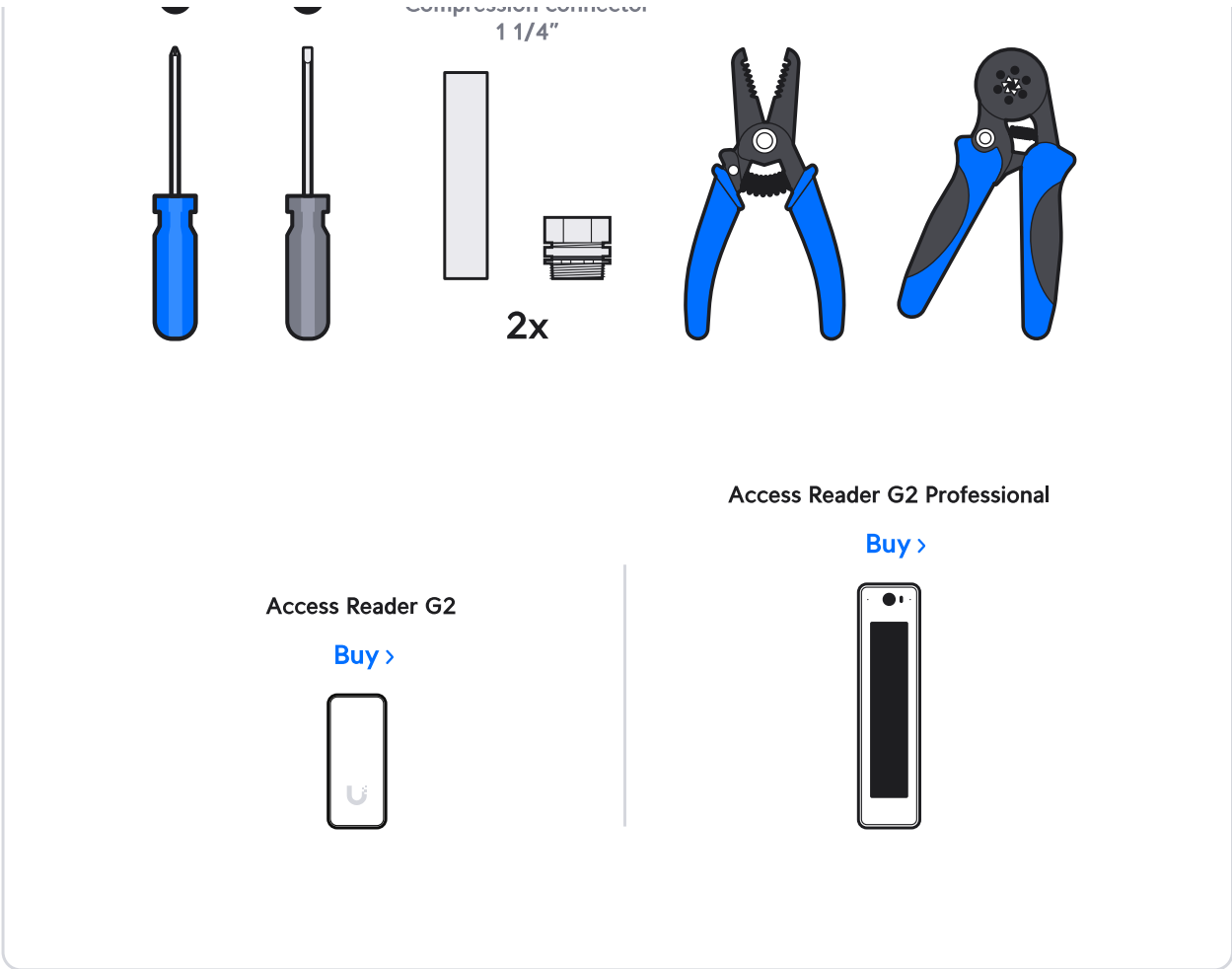


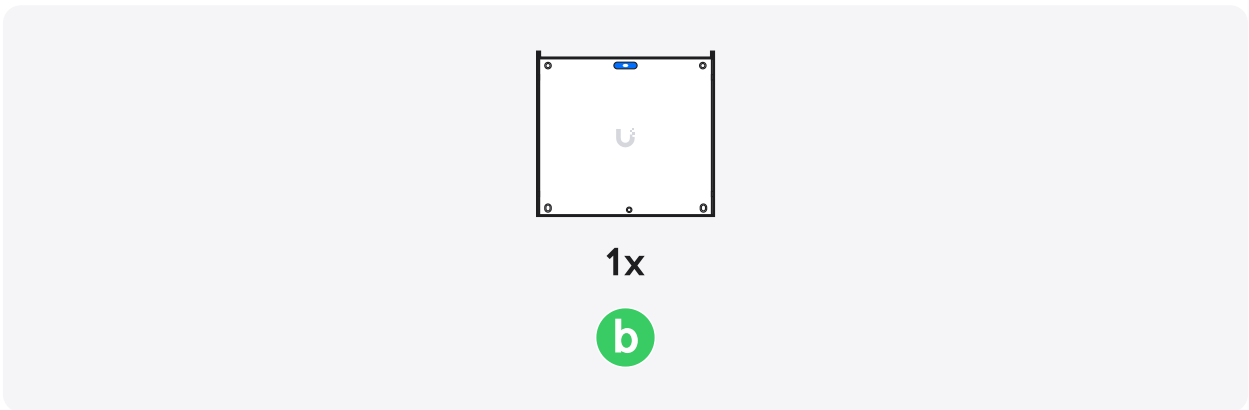


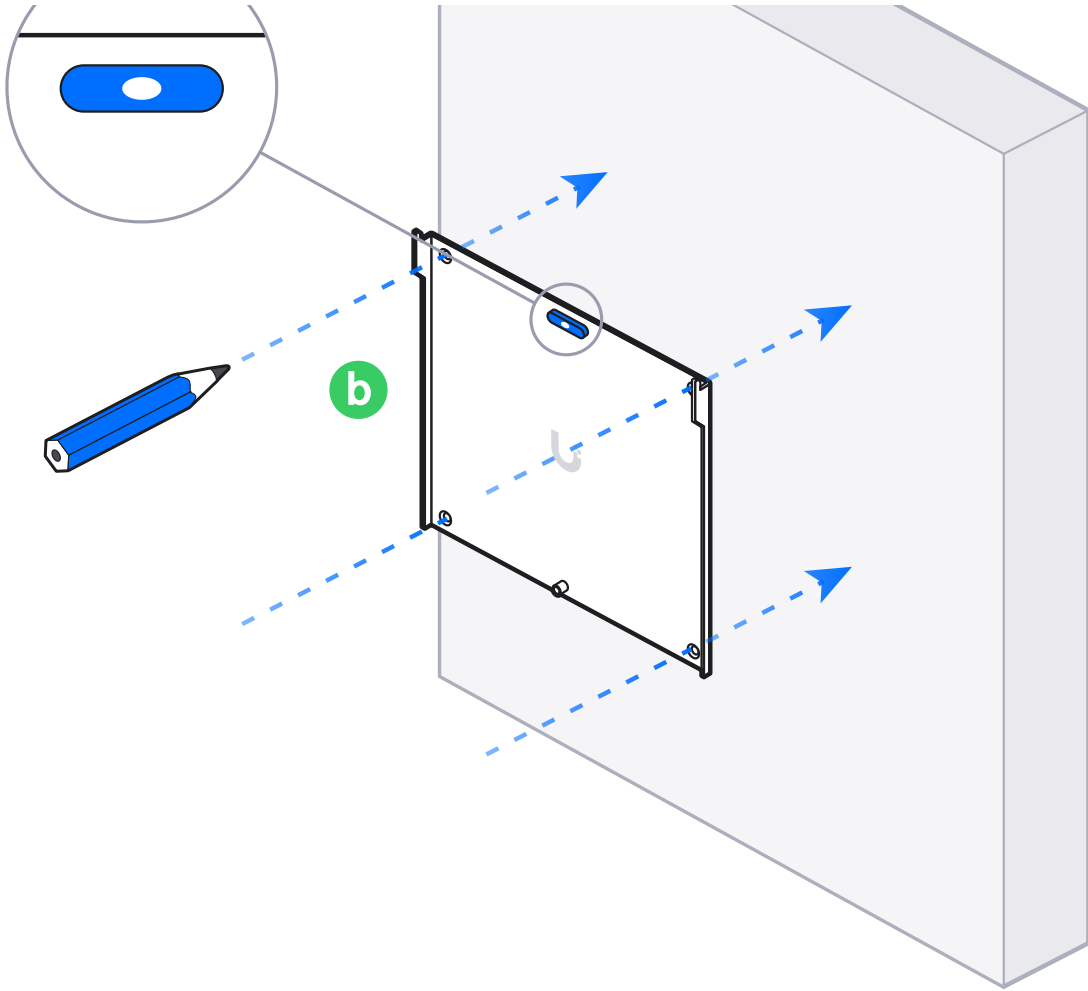
Enterprise Access Hub



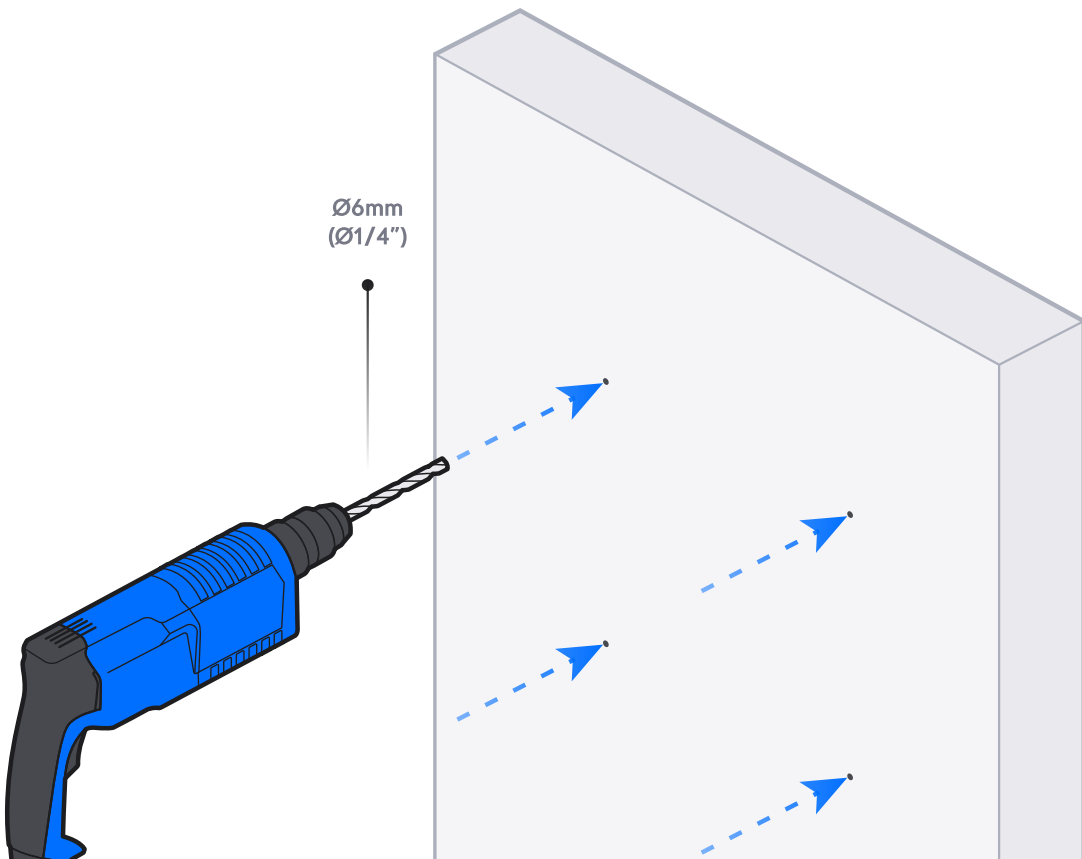


1





2



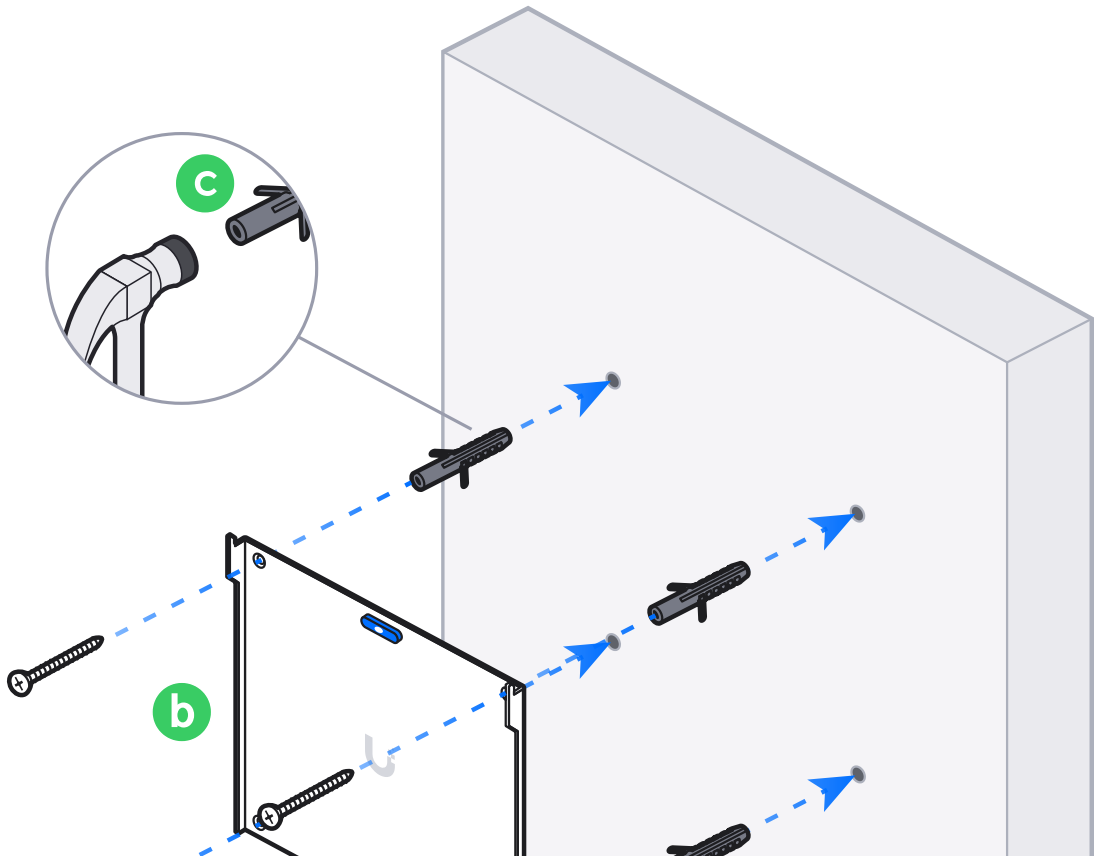


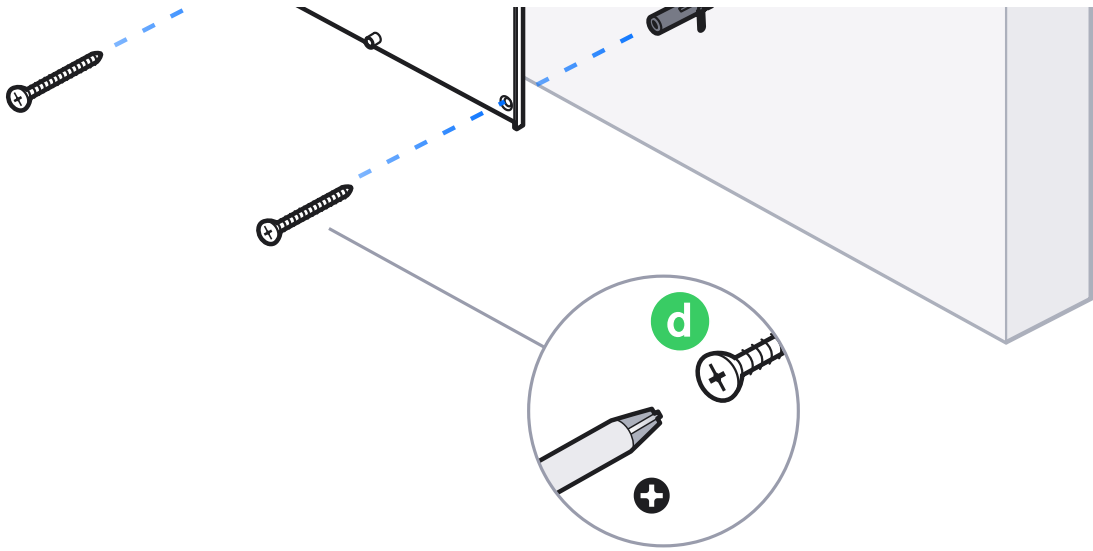
3

8#-15T

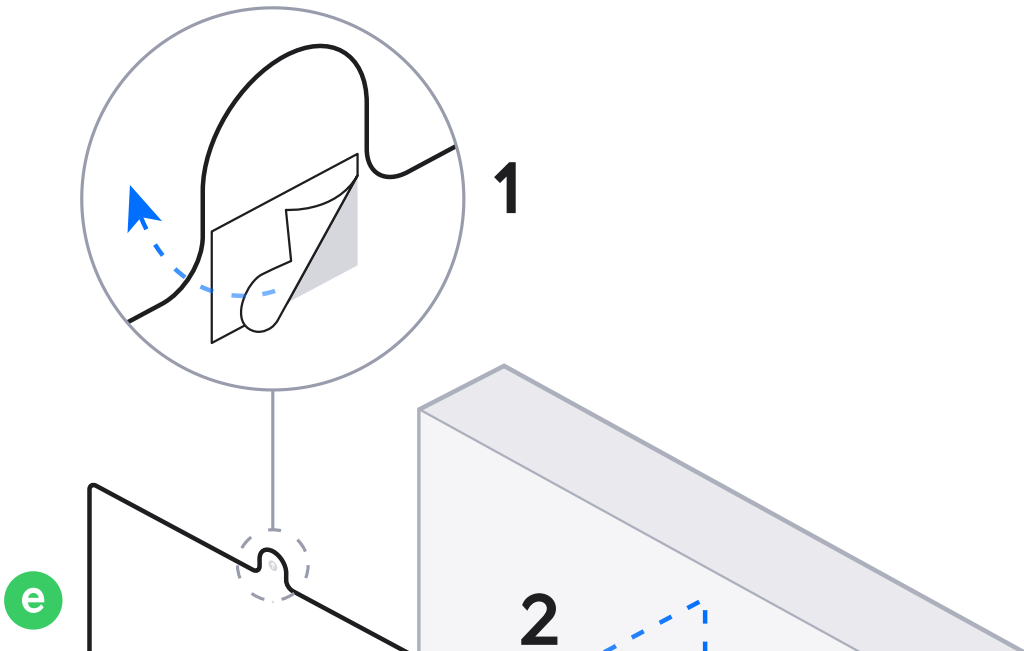
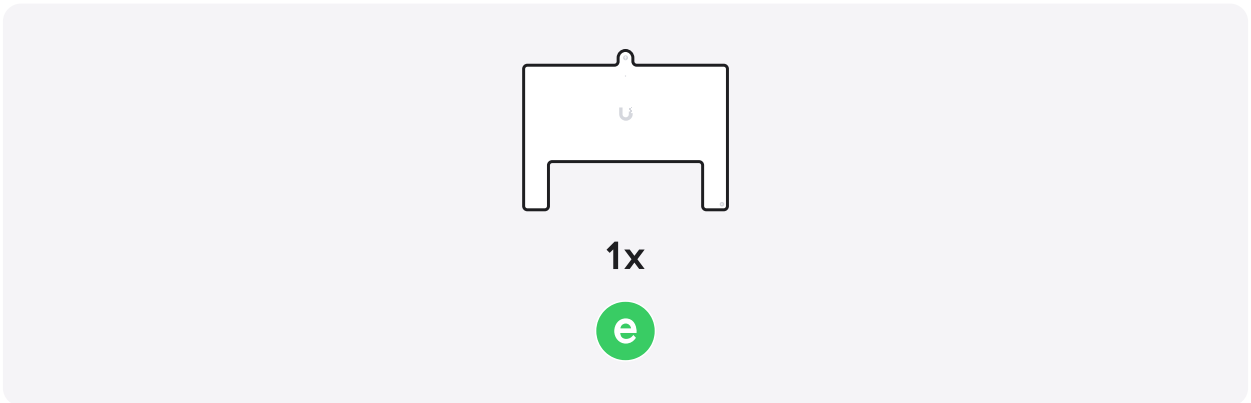
1x 4x 4x

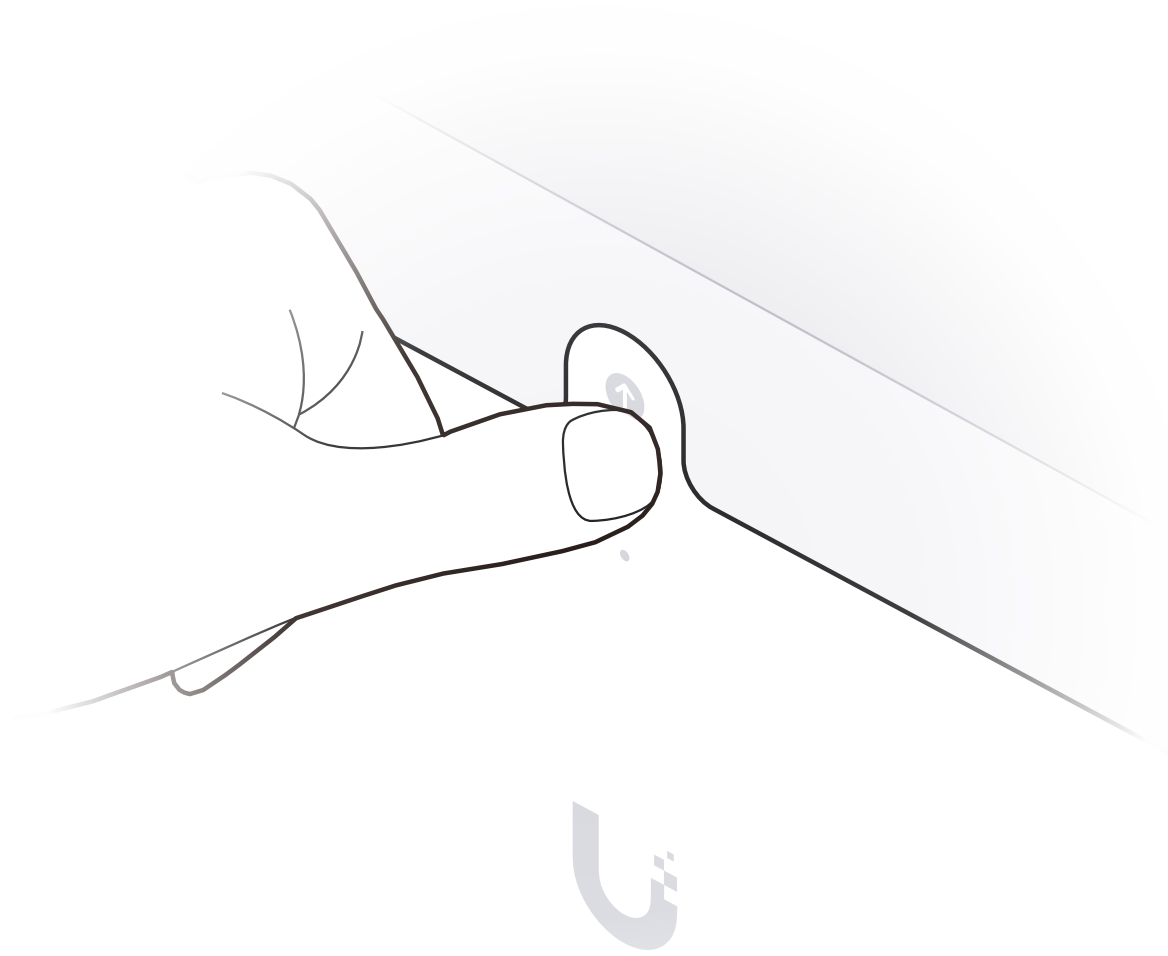
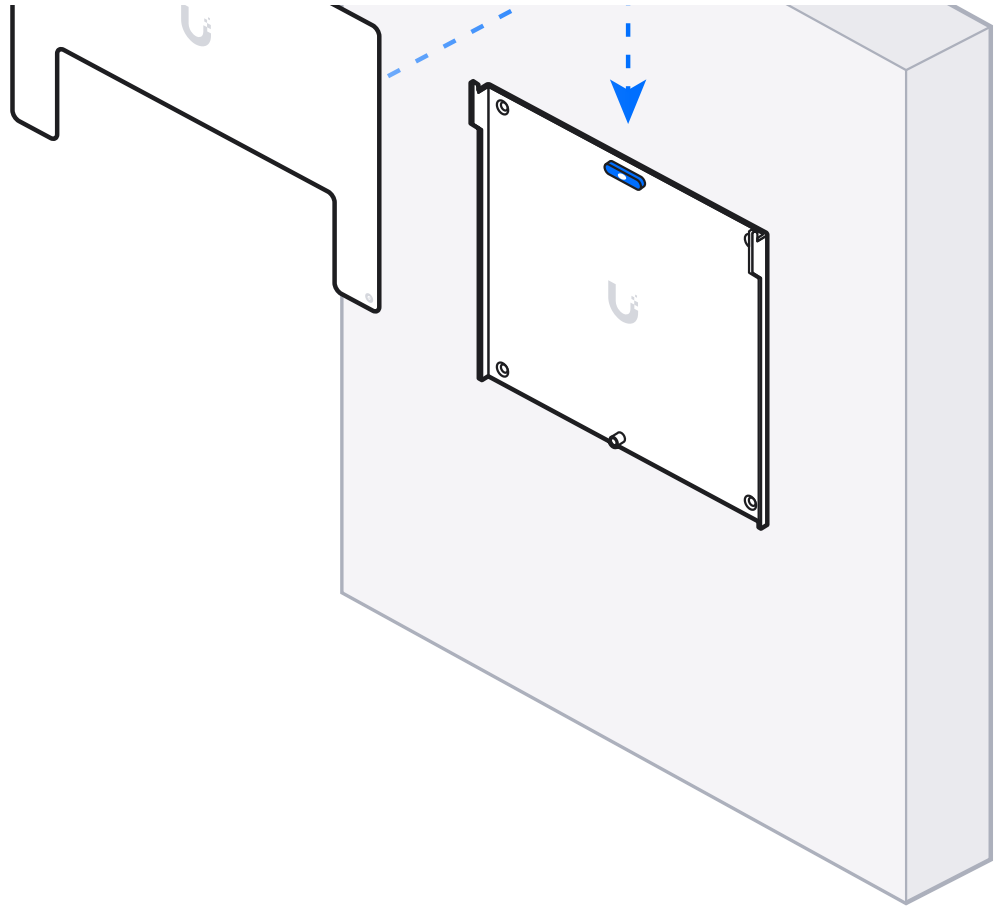
b **c** **d**



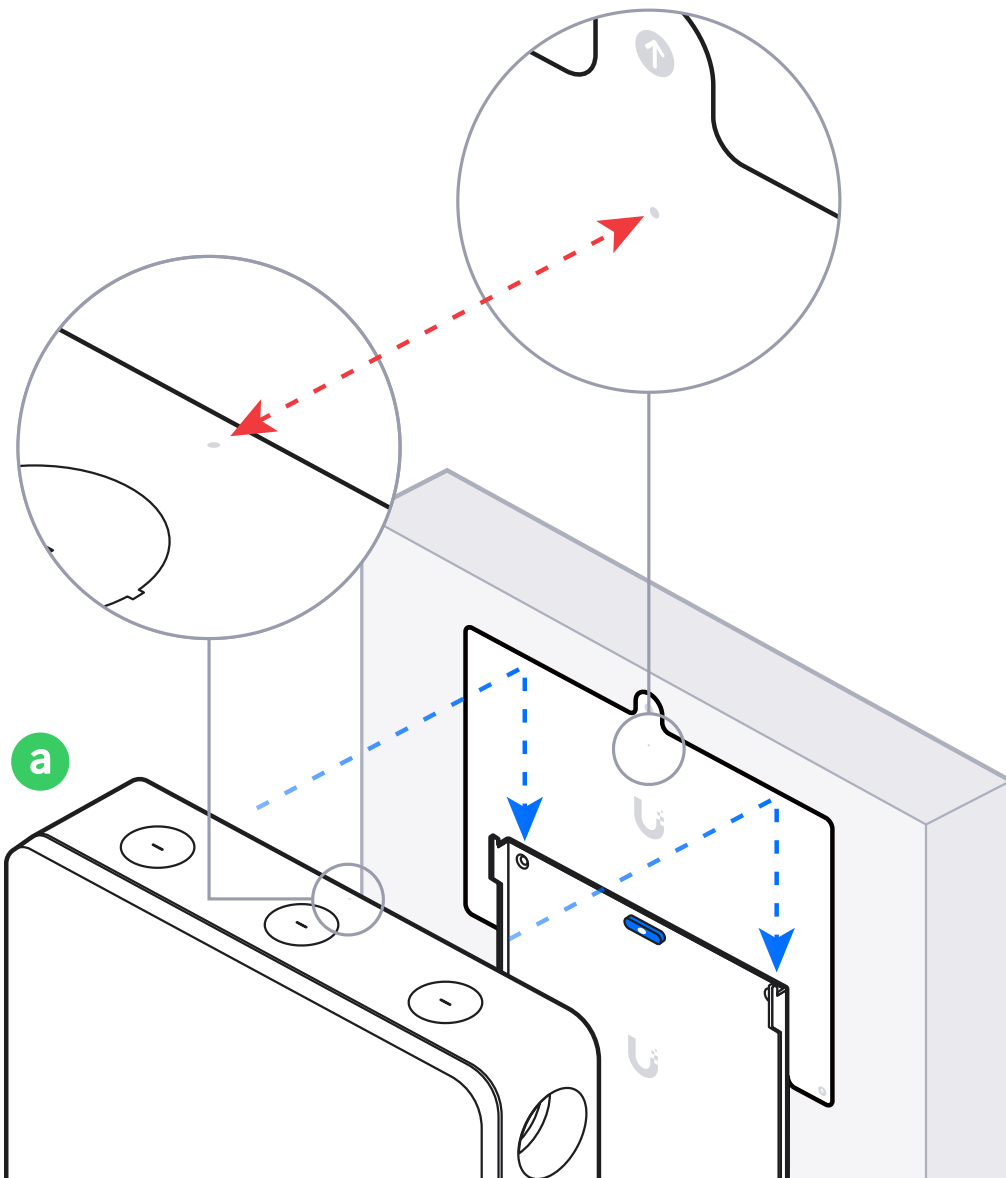
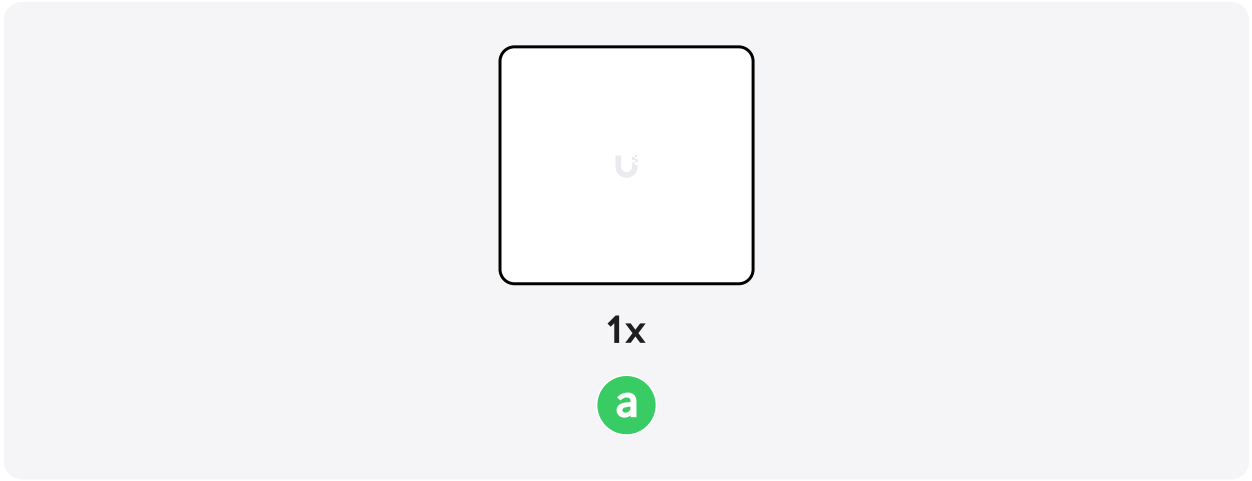


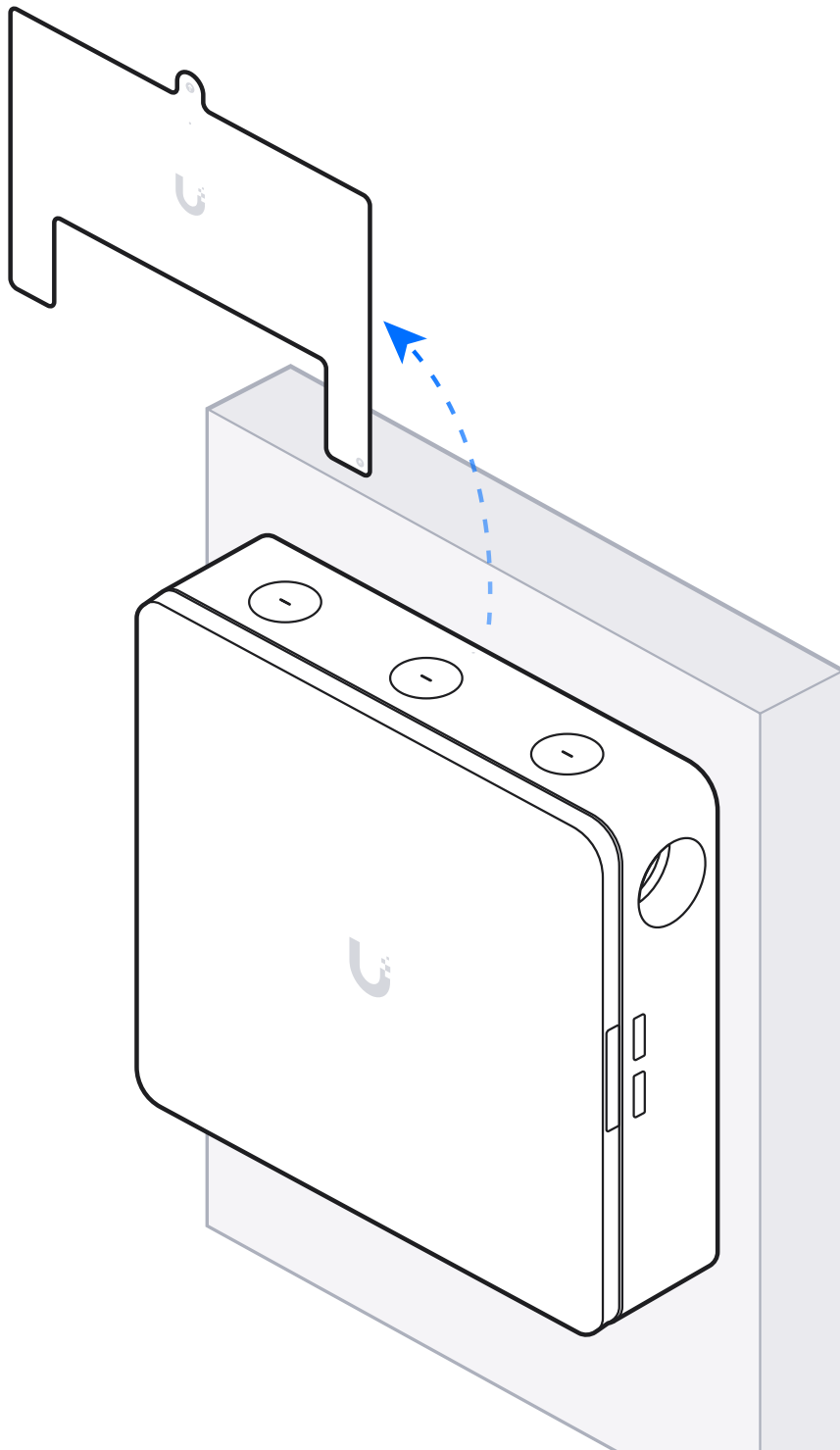
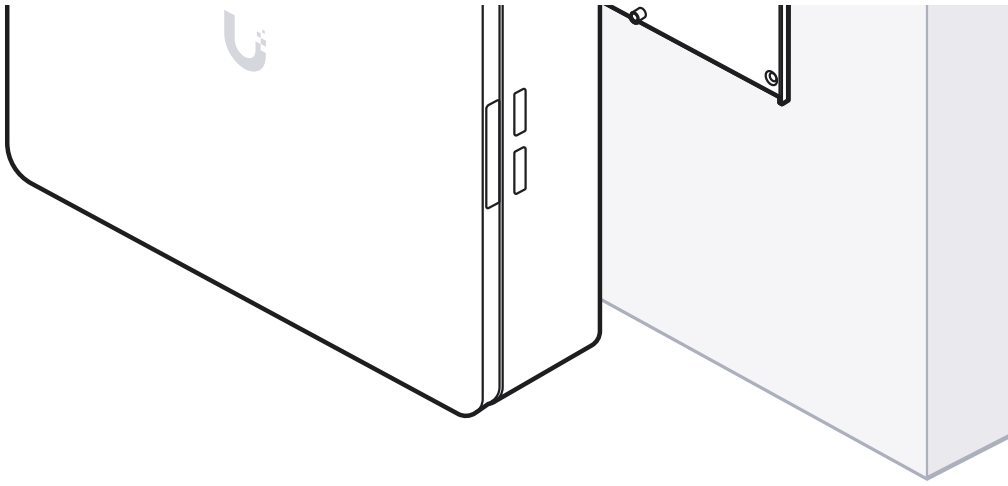
4

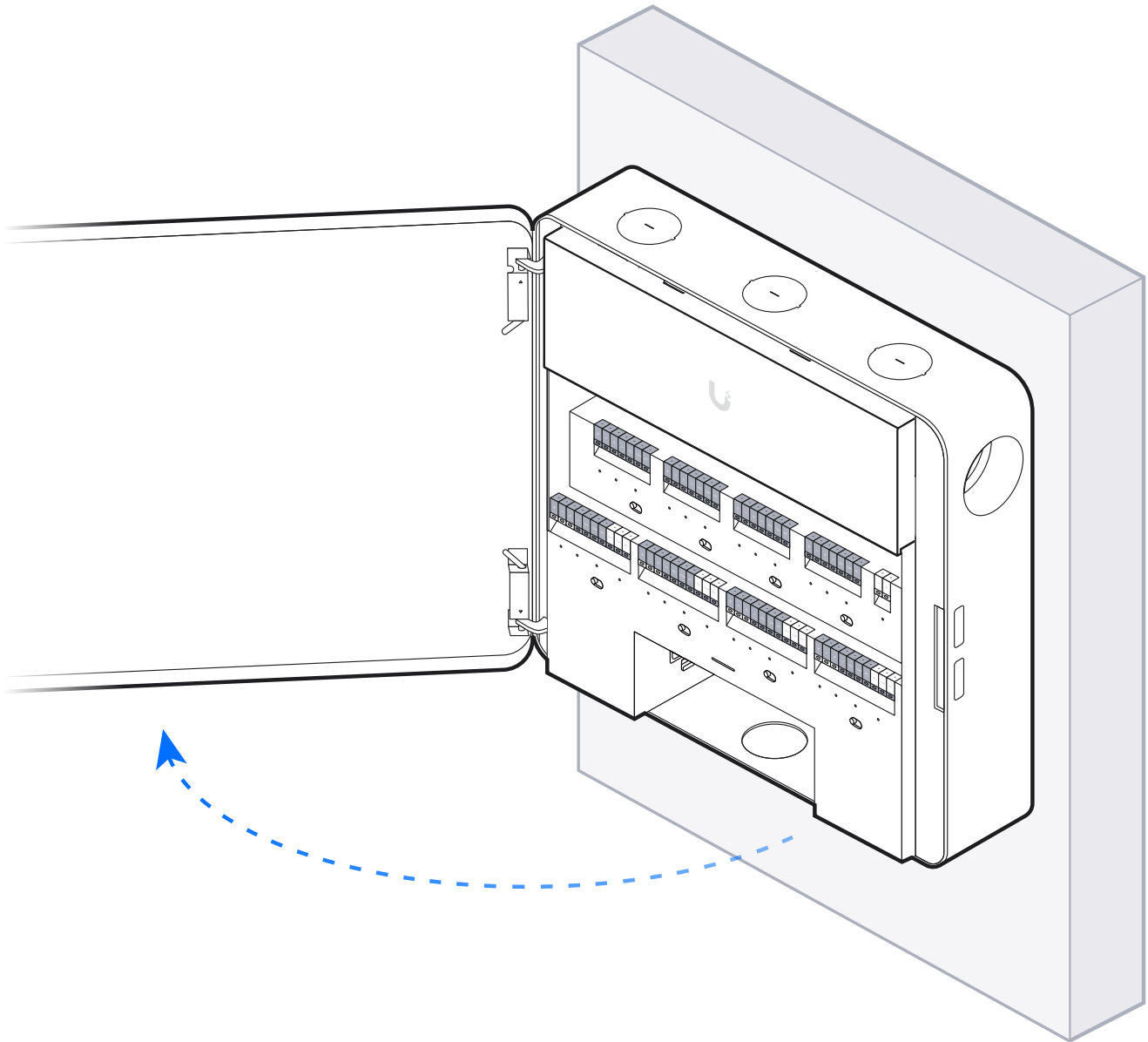




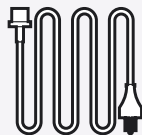
5





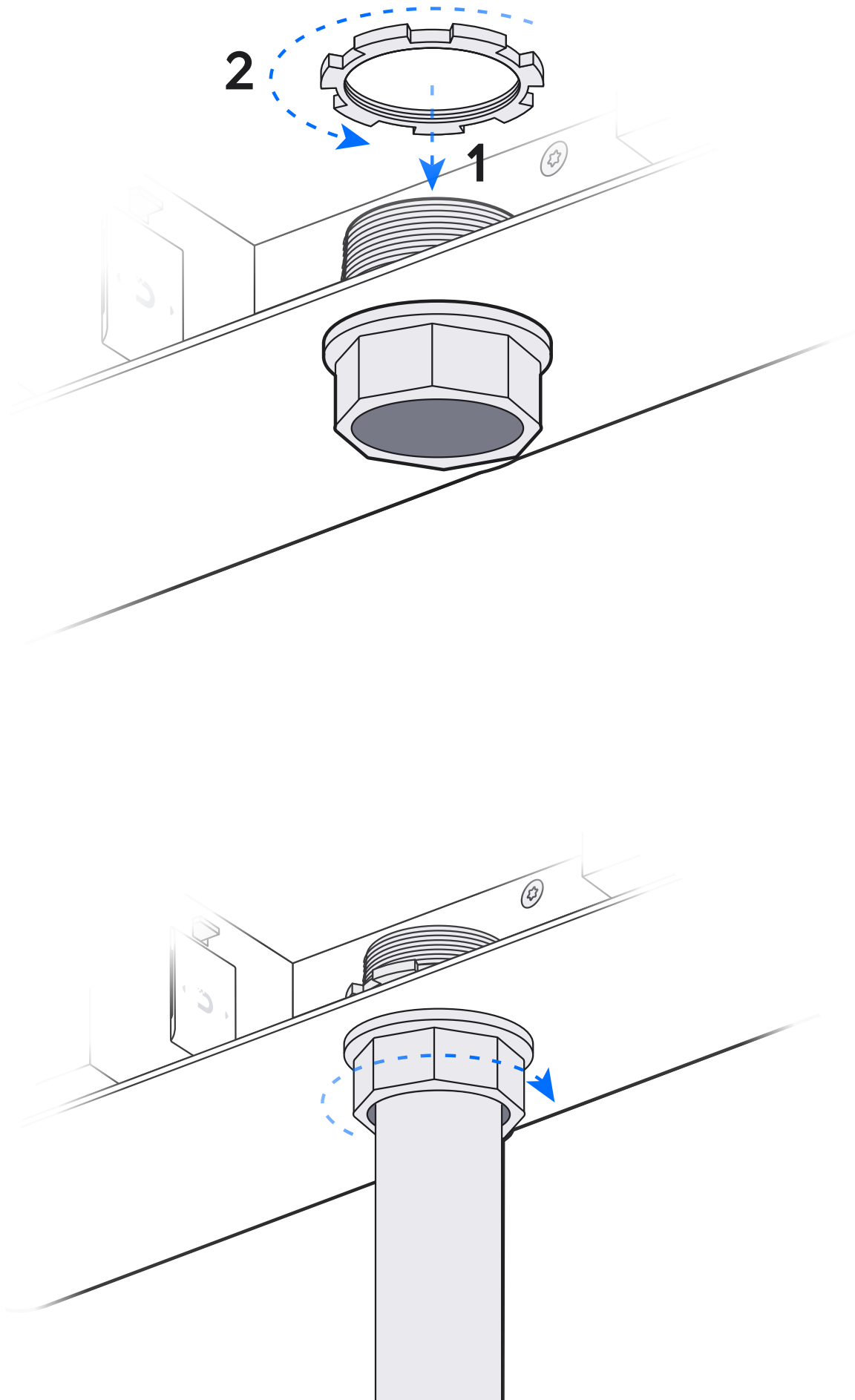


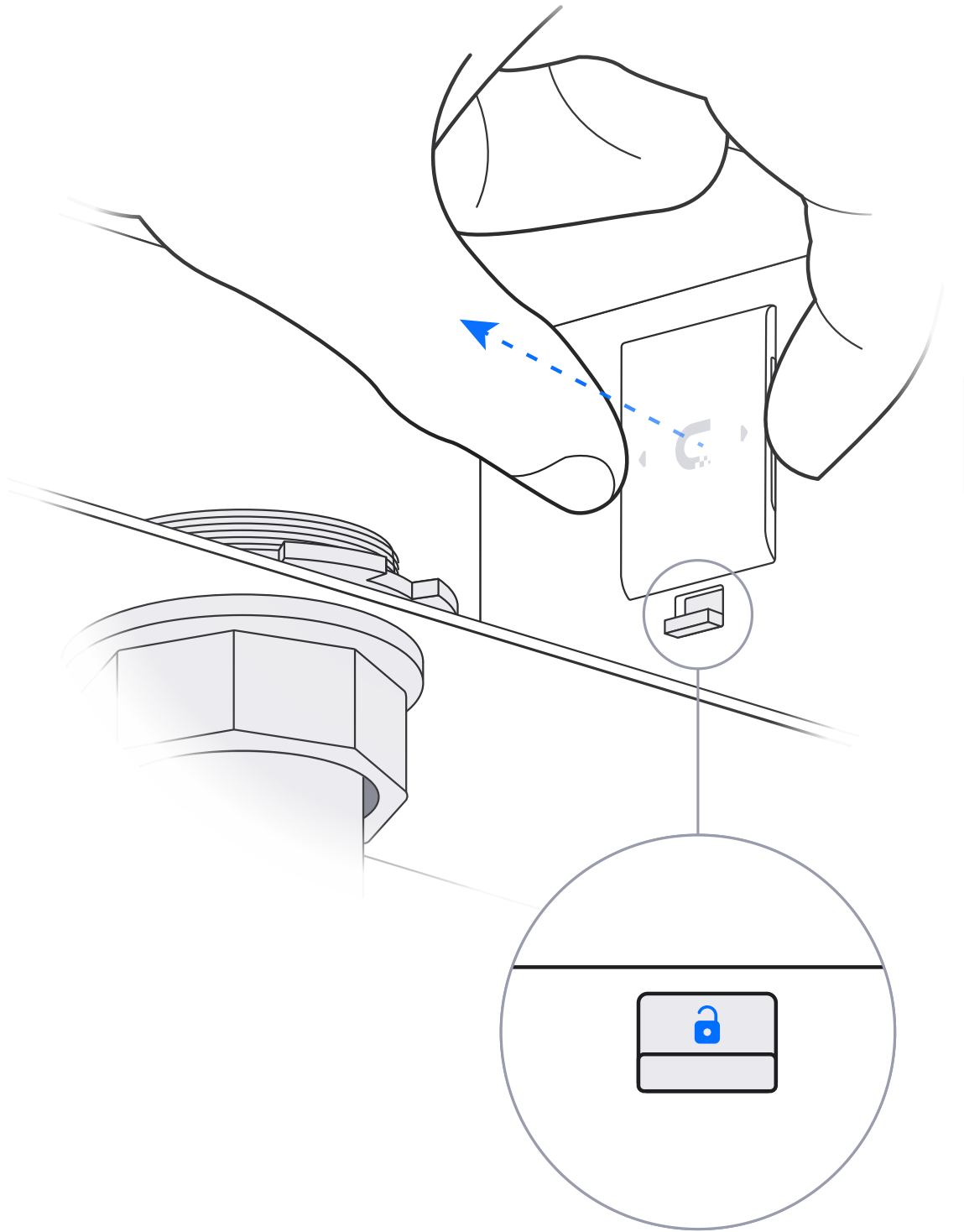
6

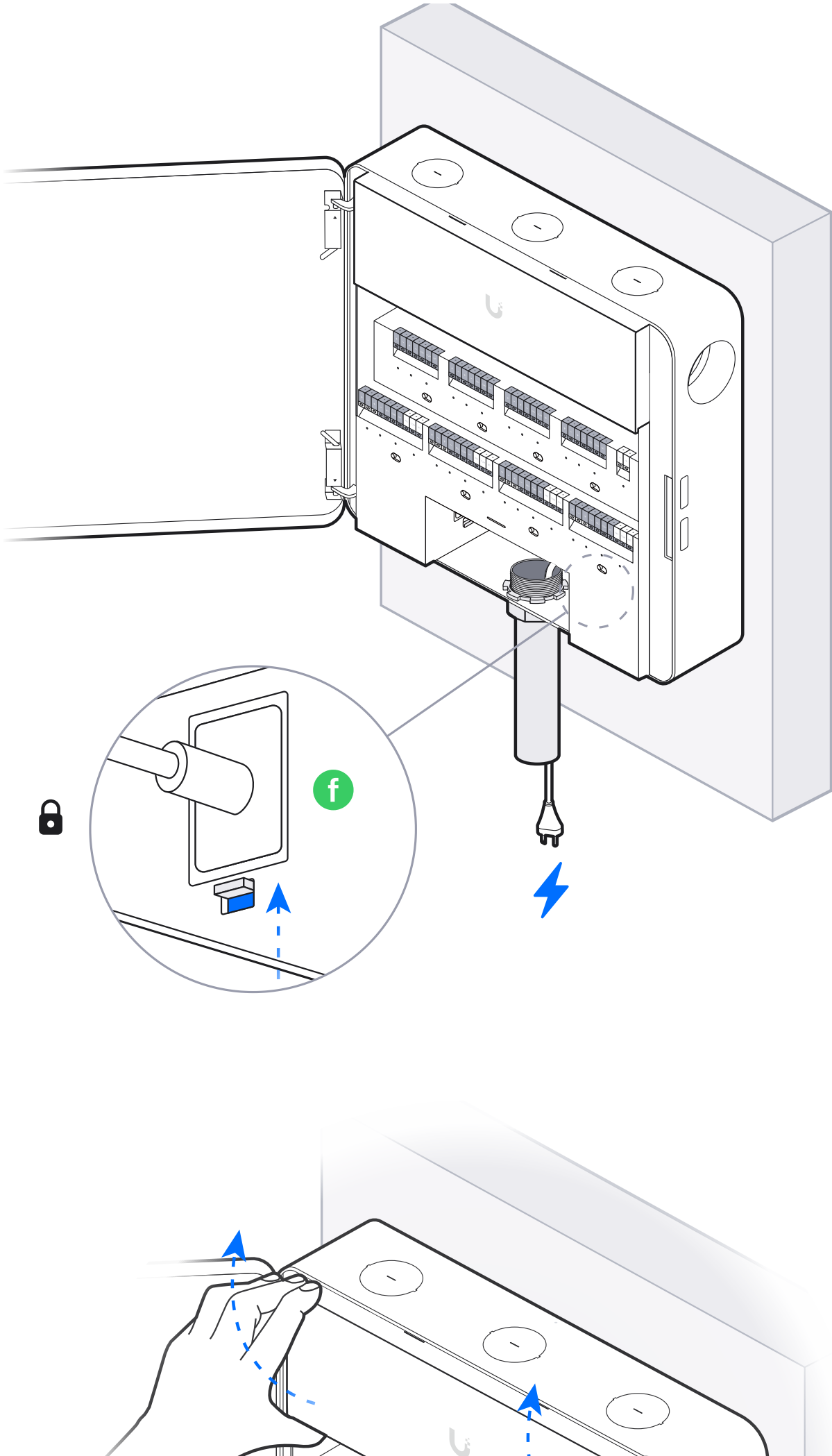


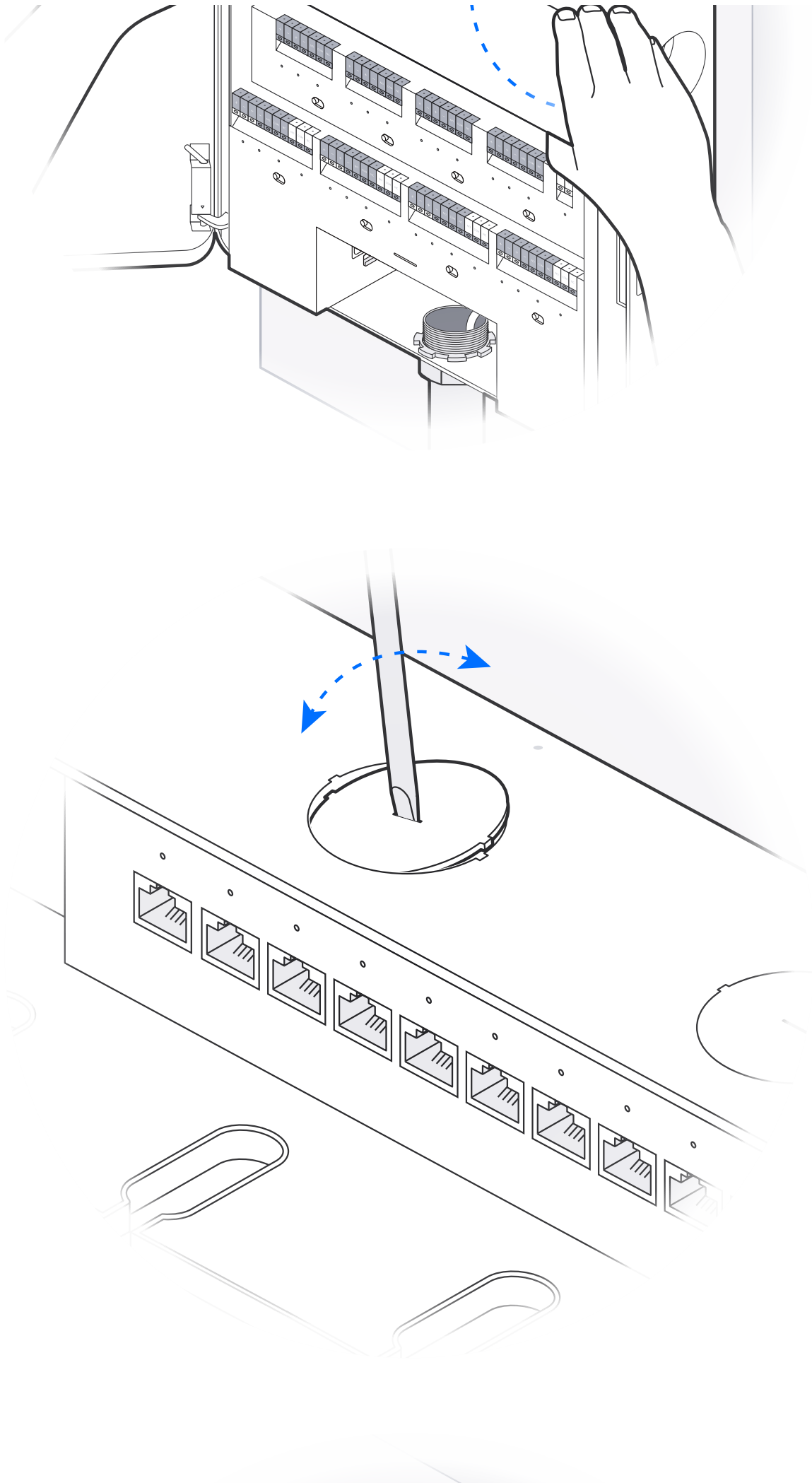
1x

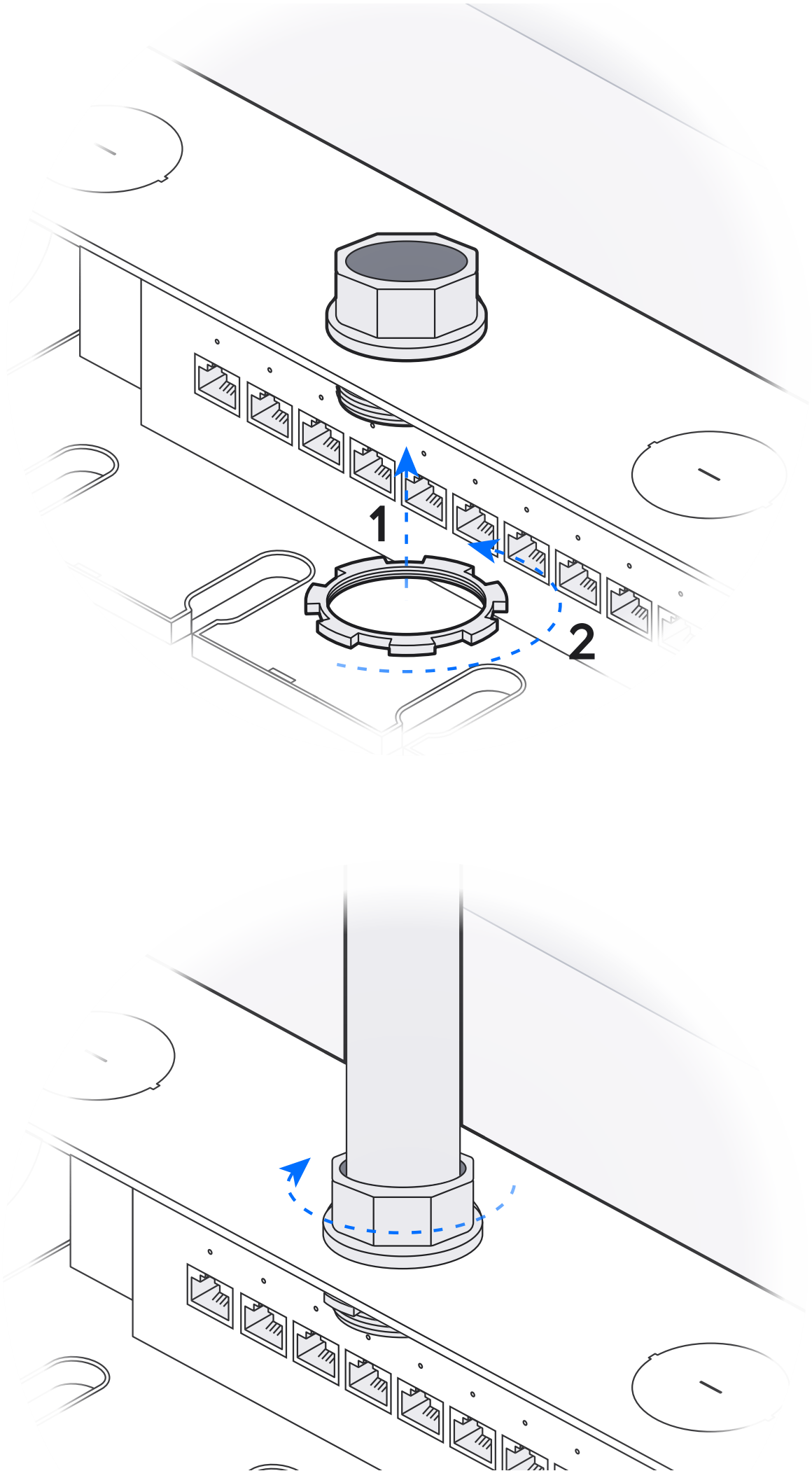


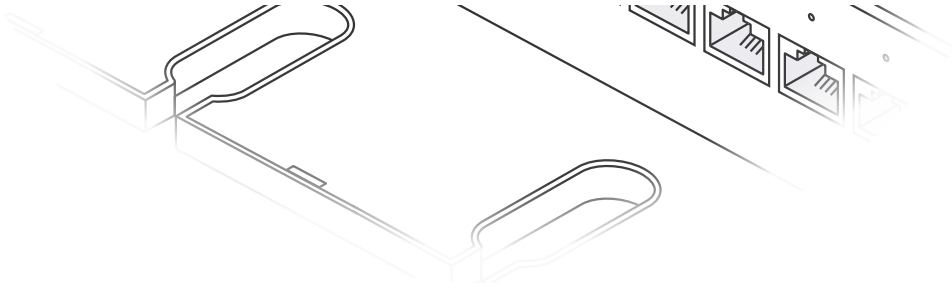




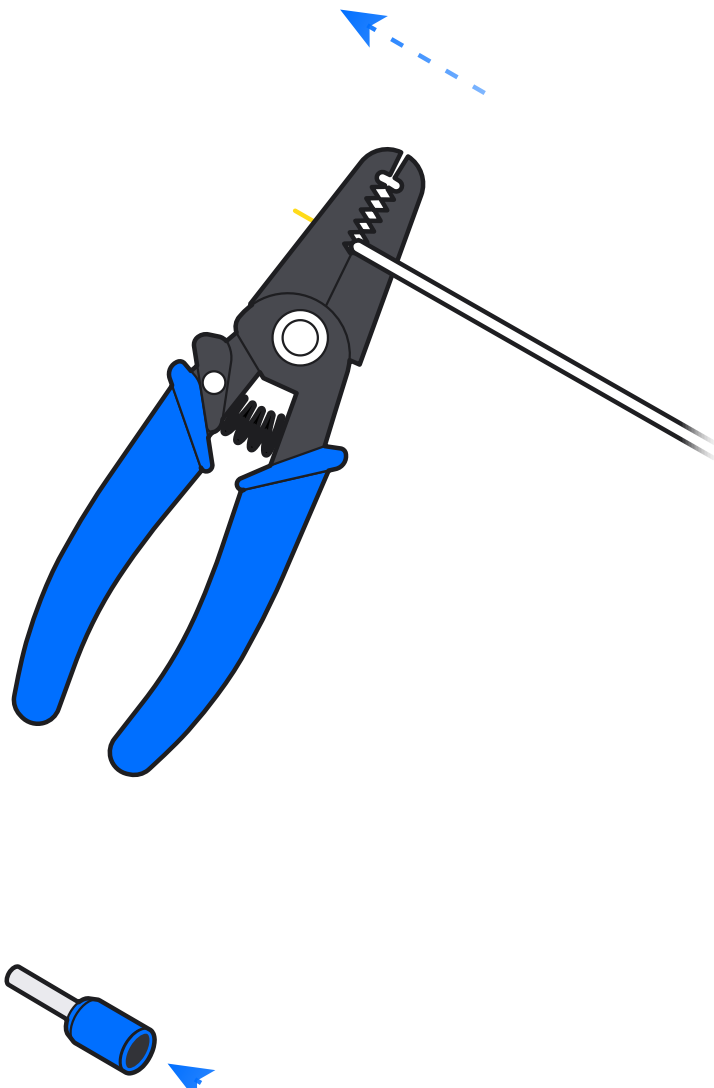
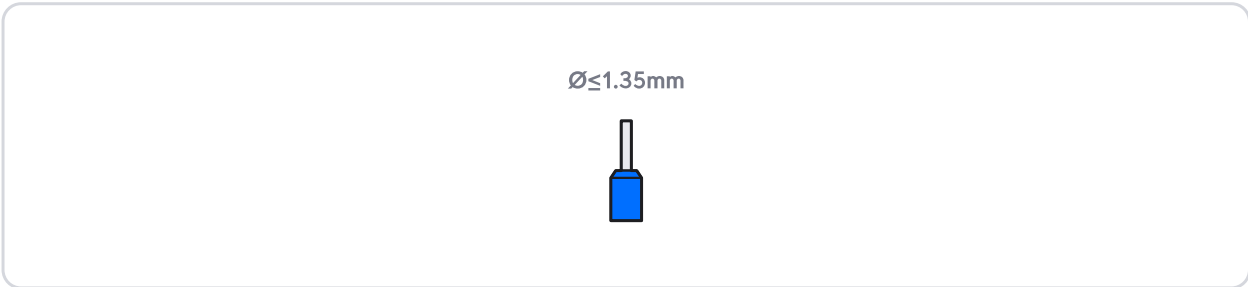


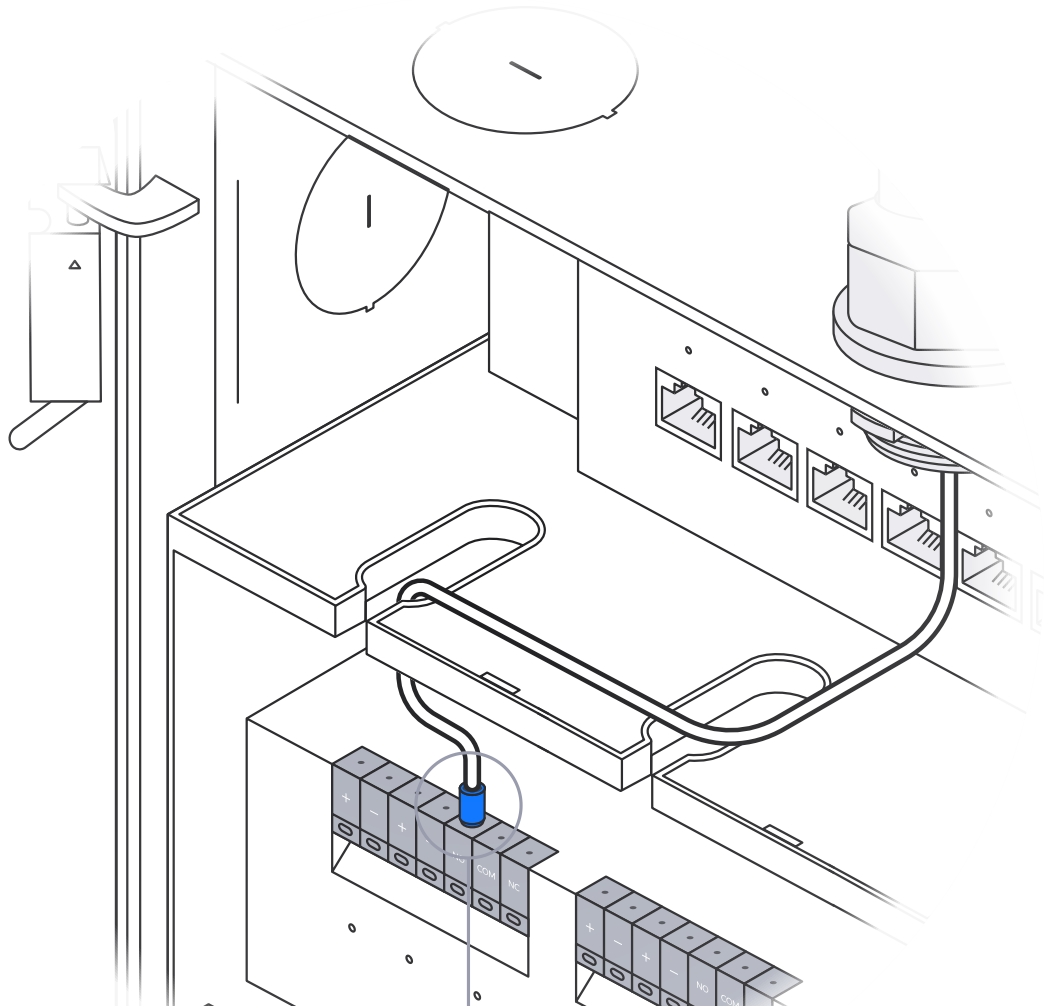
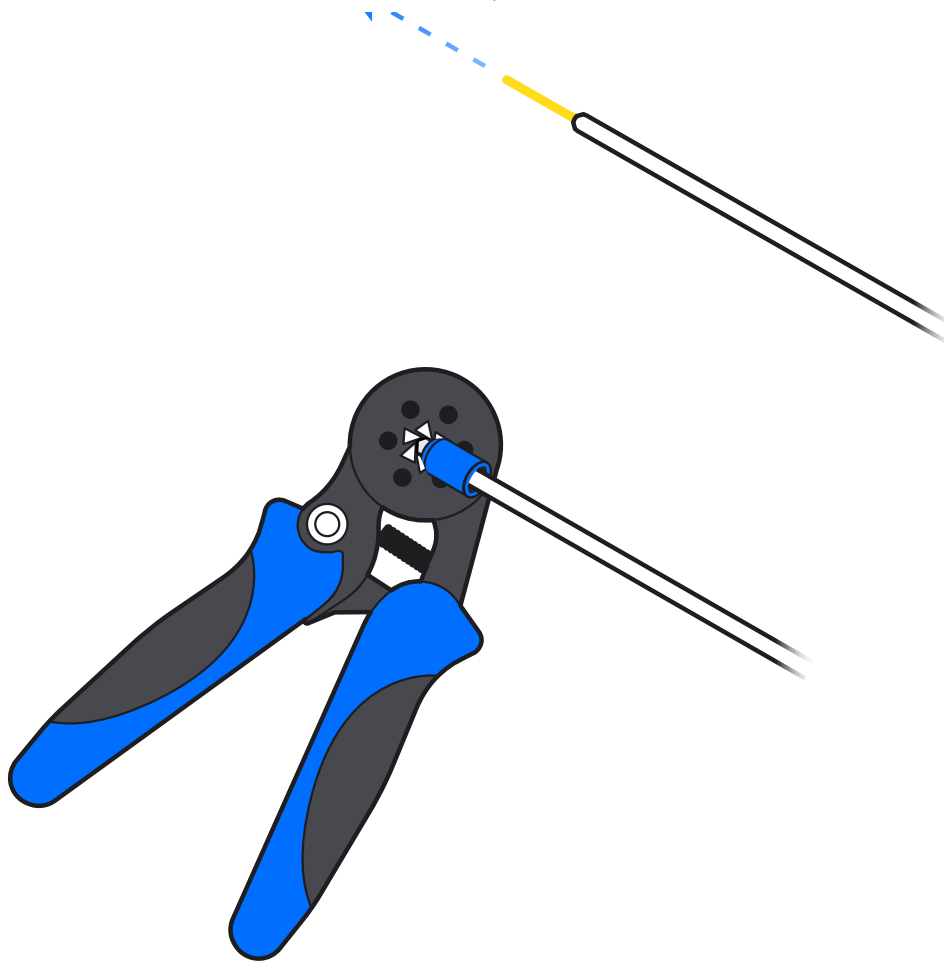


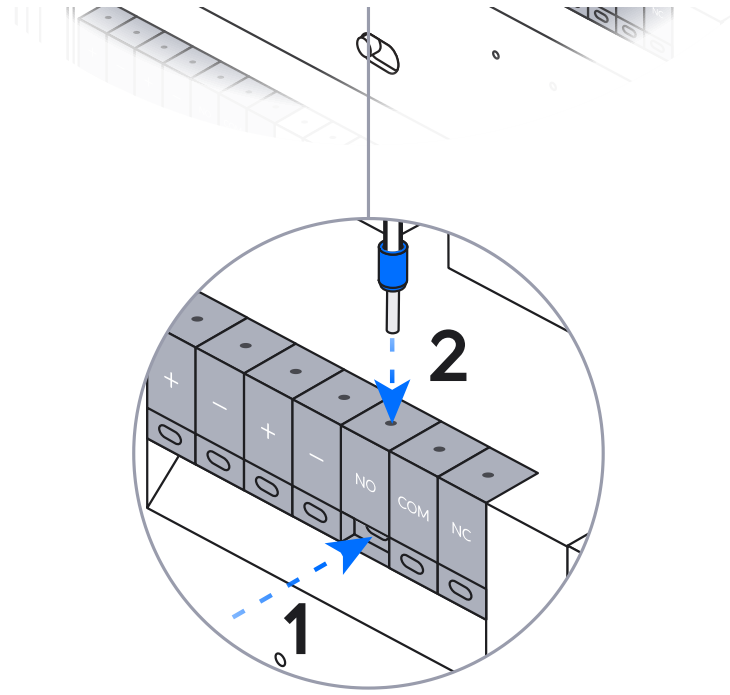





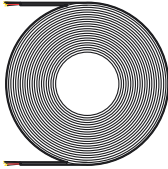
7

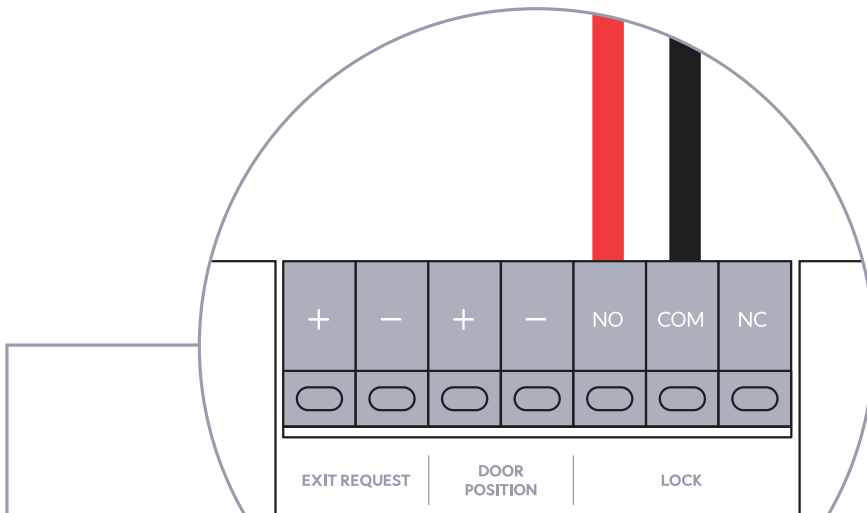


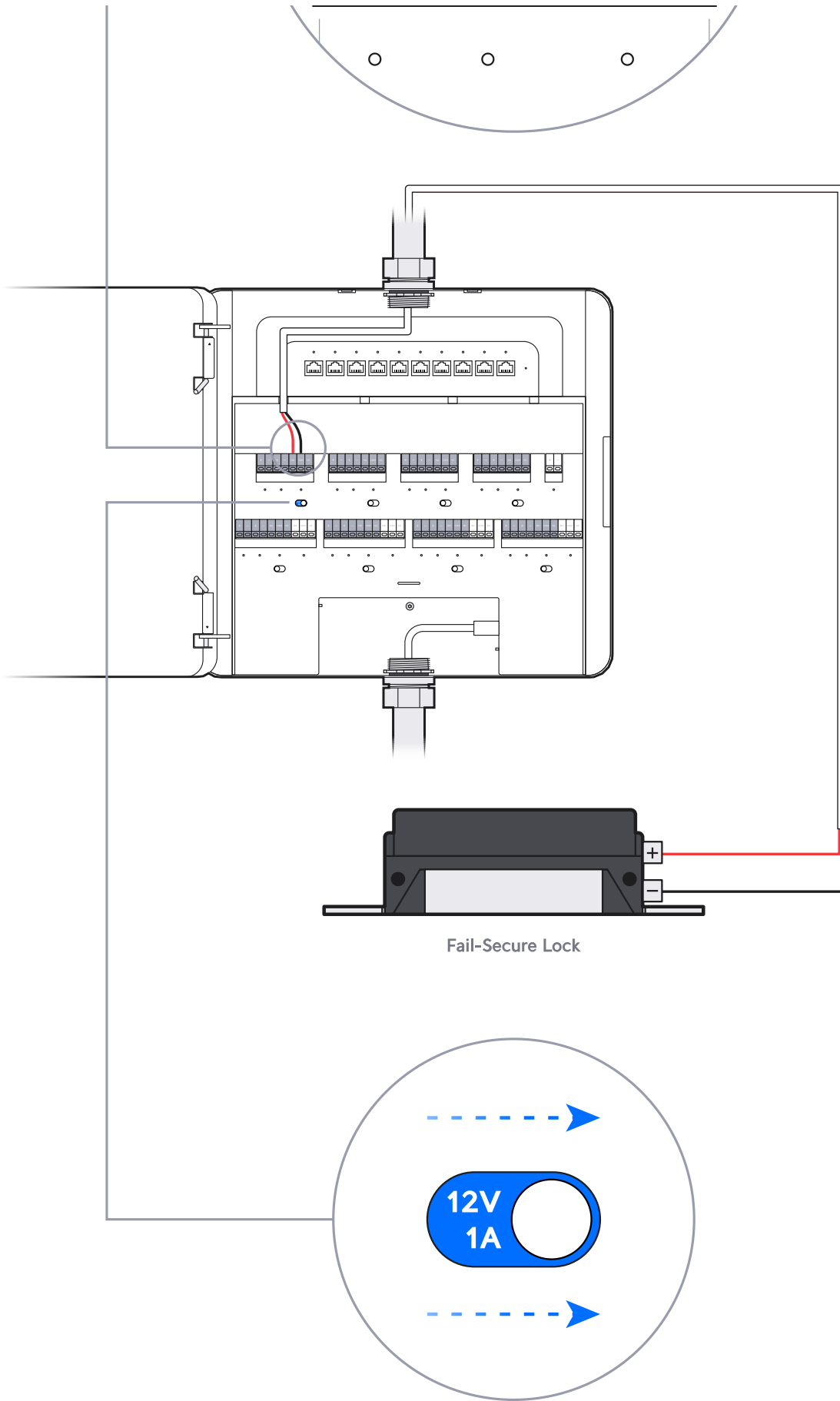


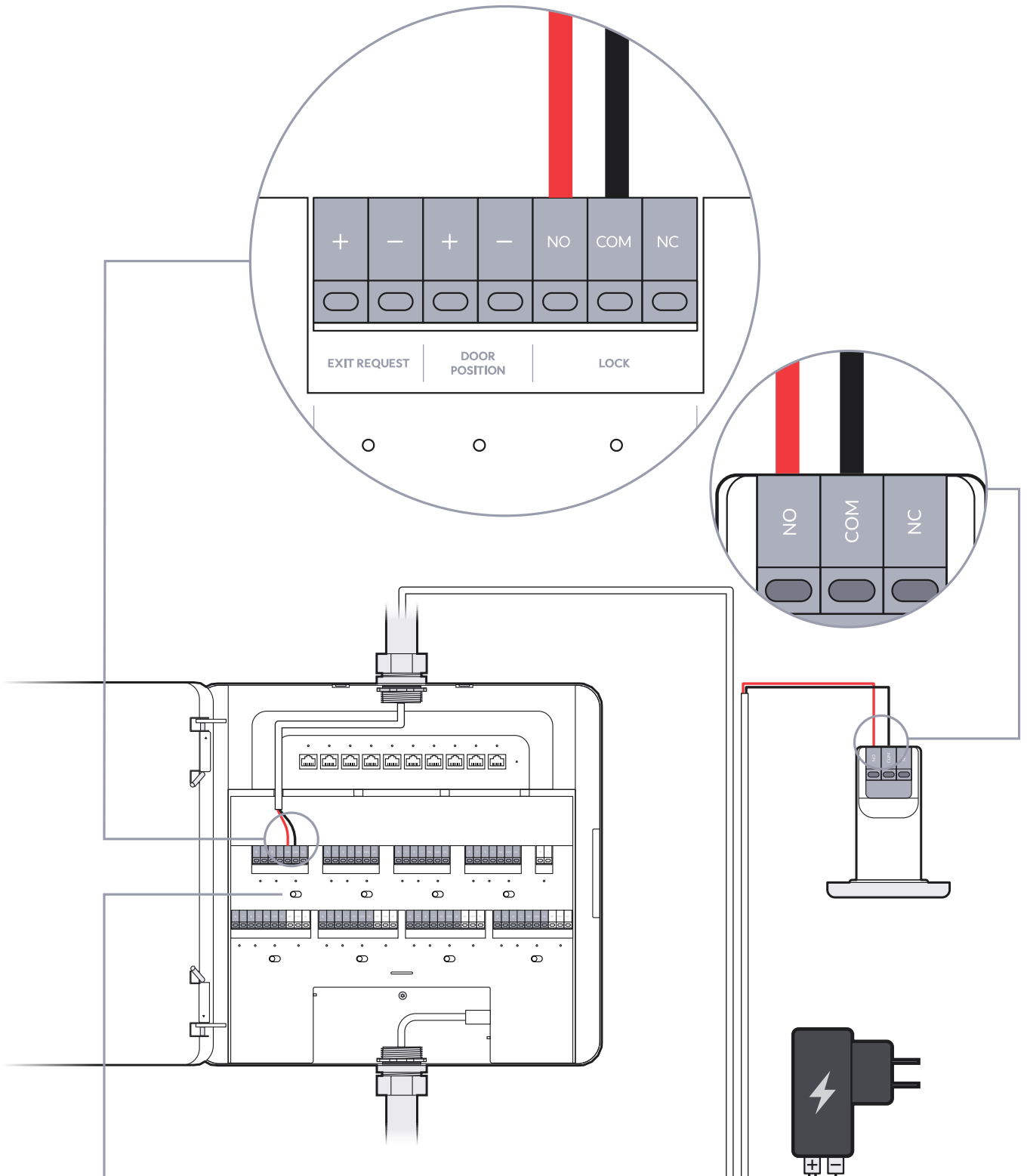
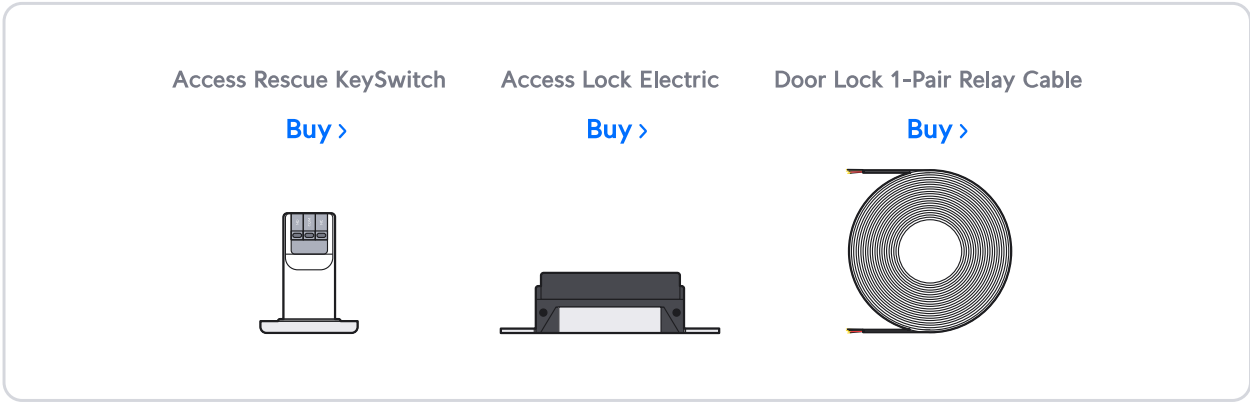


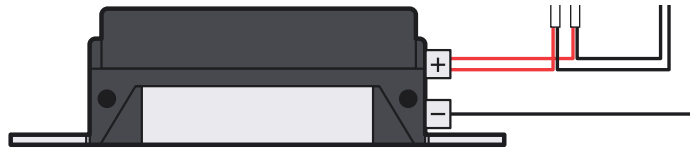
8

<p>Access Lock Electric</p> <p>Buy ></p> 	<p>Door Lock 1-Pair Relay Cable</p> <p>Buy ></p> 
-------------------------------------------------------------------------------------------------------------------------------------------------	----------------------------------------------------------------------------------------------------------------------------------------------------------

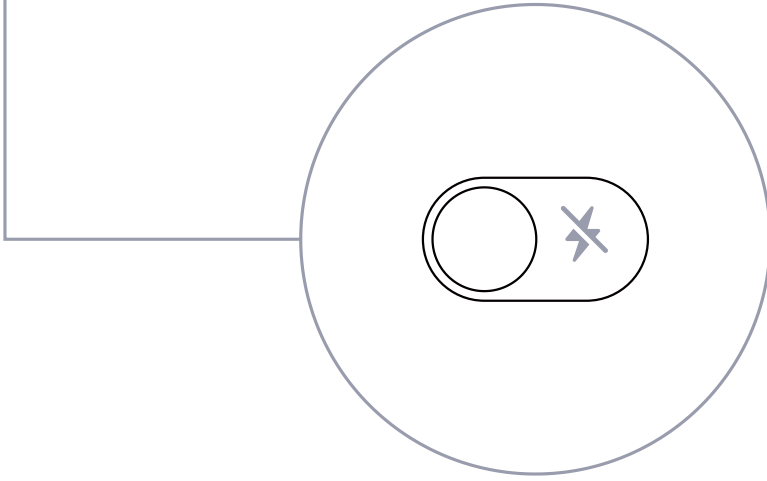






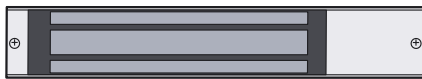


Fail-Secure Lock



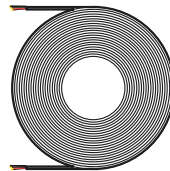
Access Lock Magnetic

[Buy >](#)

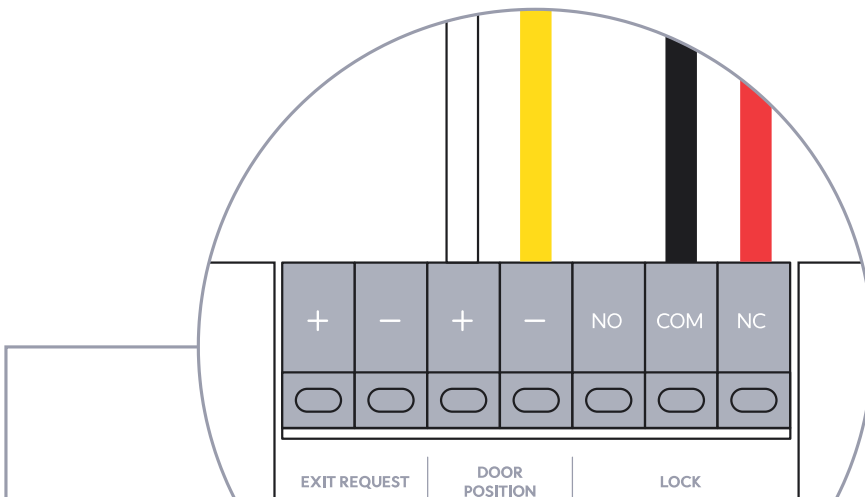


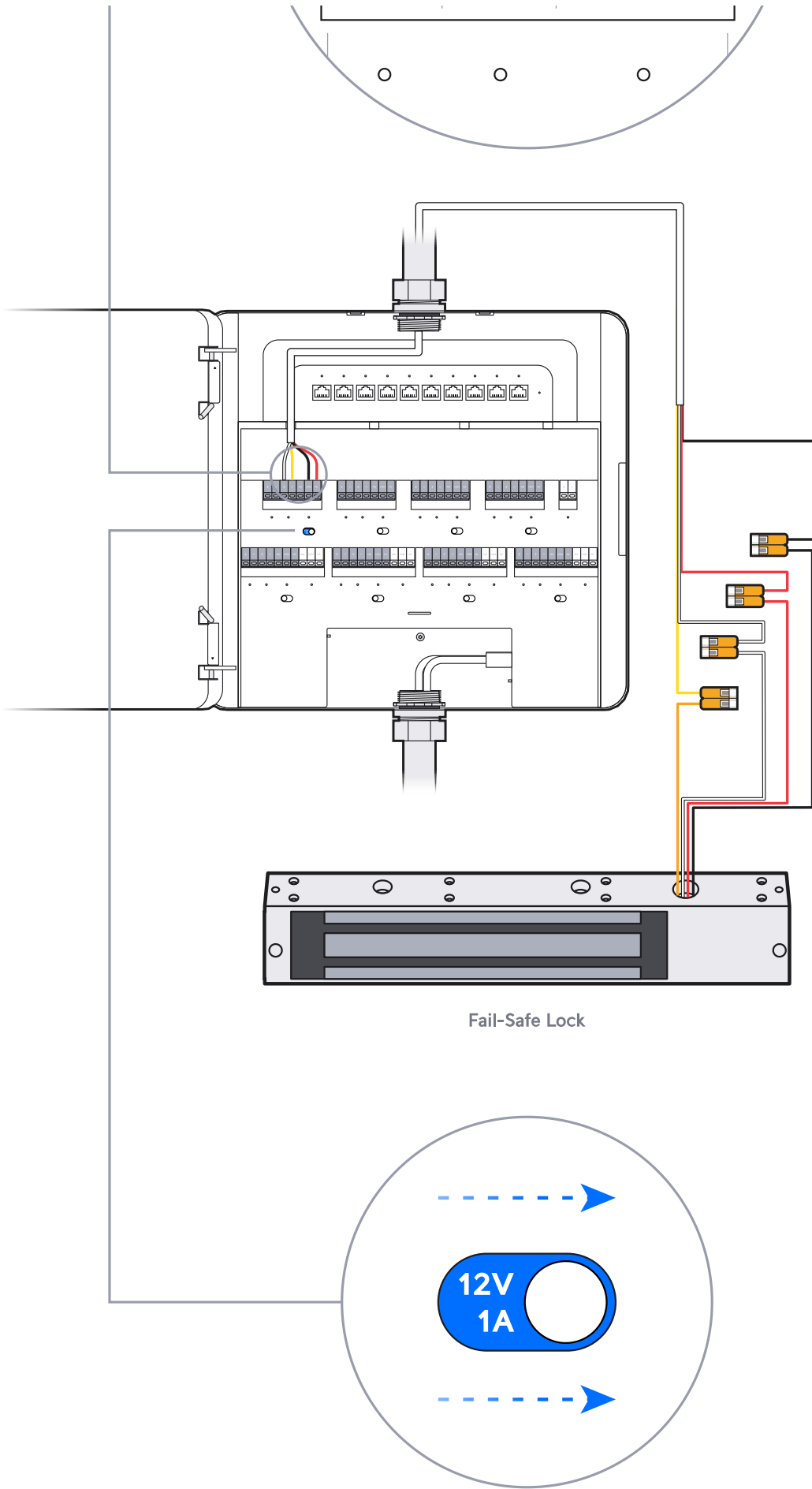
Door Lock 2-Pair Relay Cable

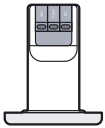
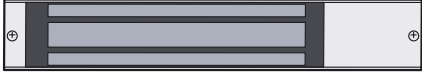
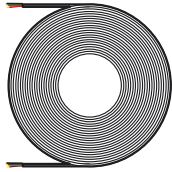

[Buy >](#)

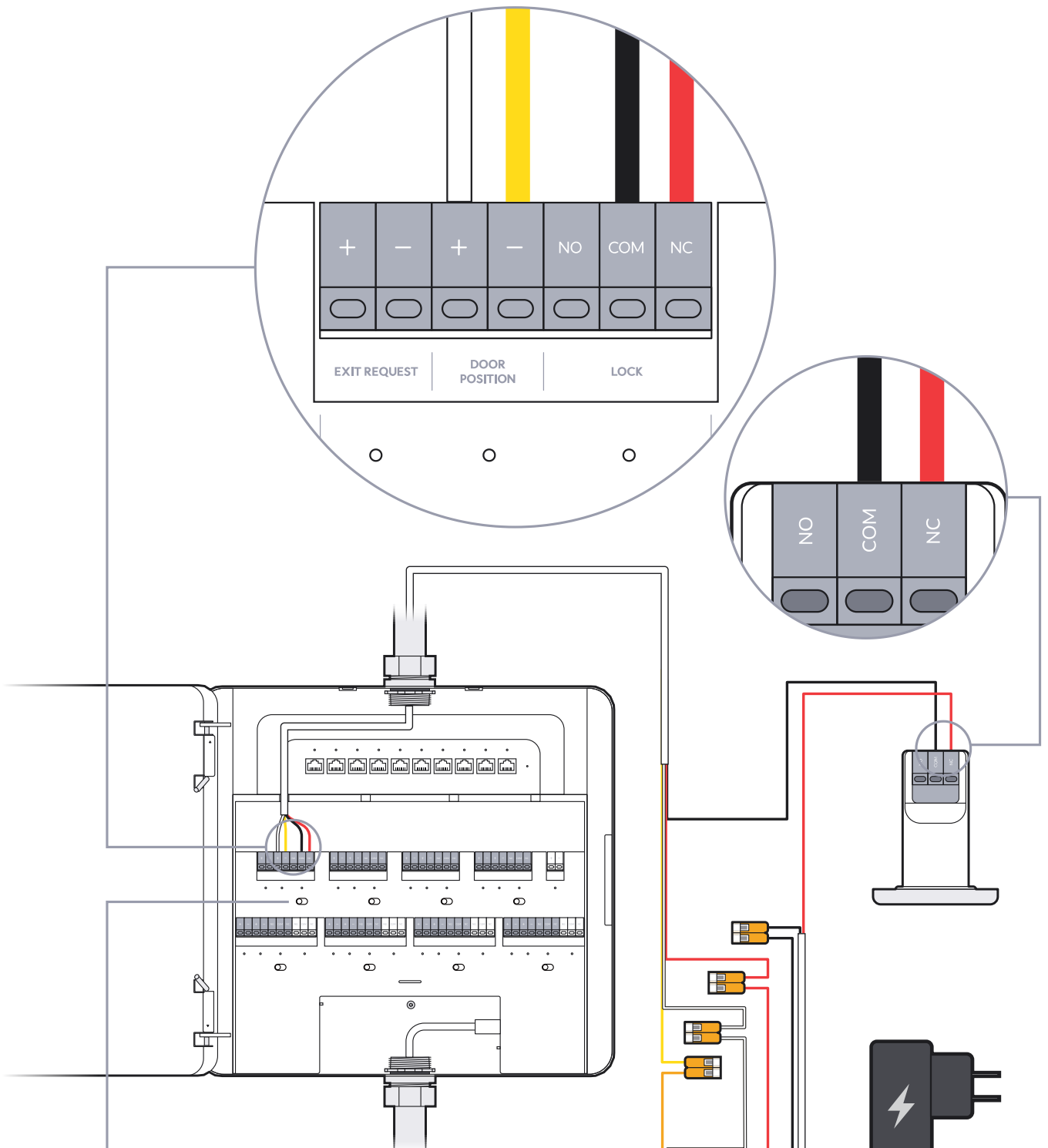


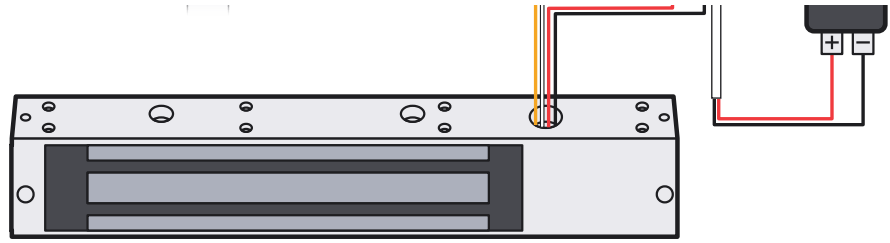
4x



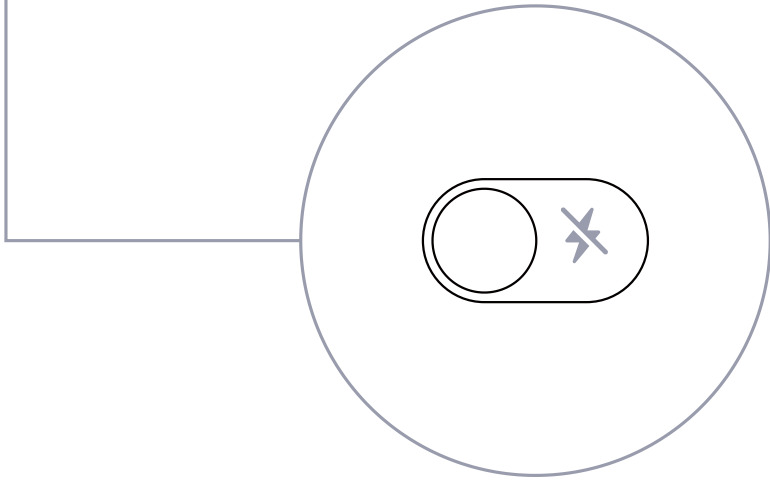


<p>Access Rescue KeySwitch</p> <p>Buy ></p> 	<p>Access Lock Magnetic</p> <p>Buy ></p> 	<p>Door Lock 2-Pair Relay Cable</p> <p>Buy ></p> 	 4x
--------------------------------------------------------------------------------------------------------------------------------------------------	-----------------------------------------------------------------------------------------------------------------------------------------------	---------------------------------------------------------------------------------------------------------------------------------------------------------	--------------------------------------------------------------------------------------------------



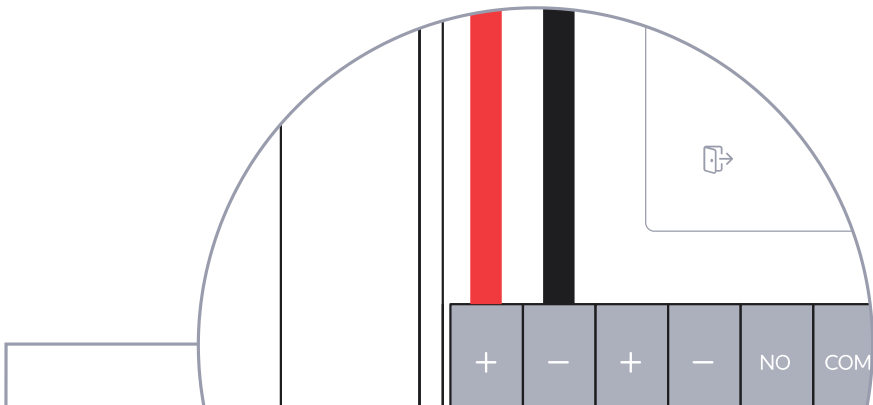


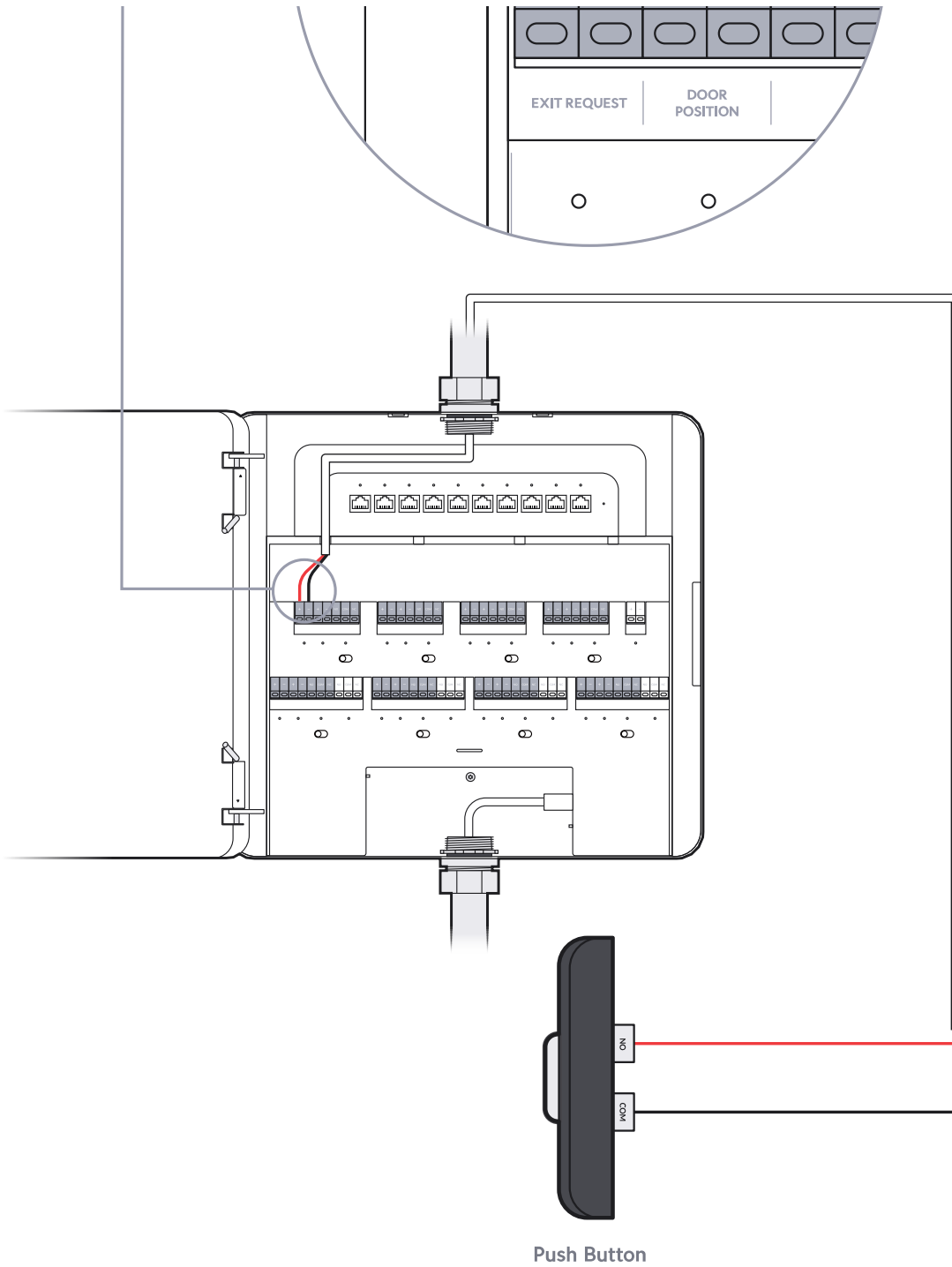
Fail-Safe Lock



Door Lock 1-Pair Relay Cable

[Buy >](#)

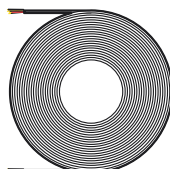


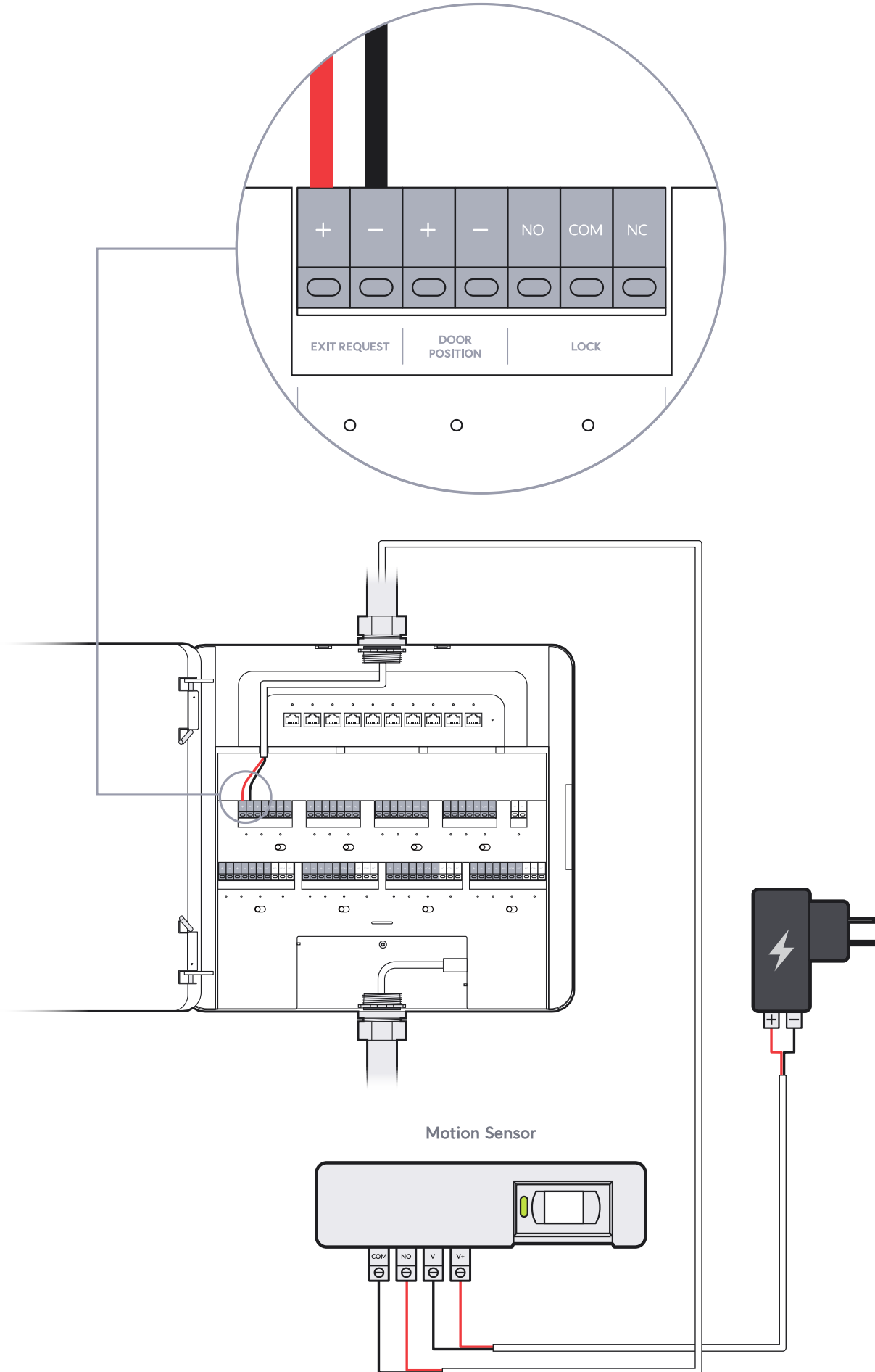


Push Button

Door Lock 1-Pair Relay Cable

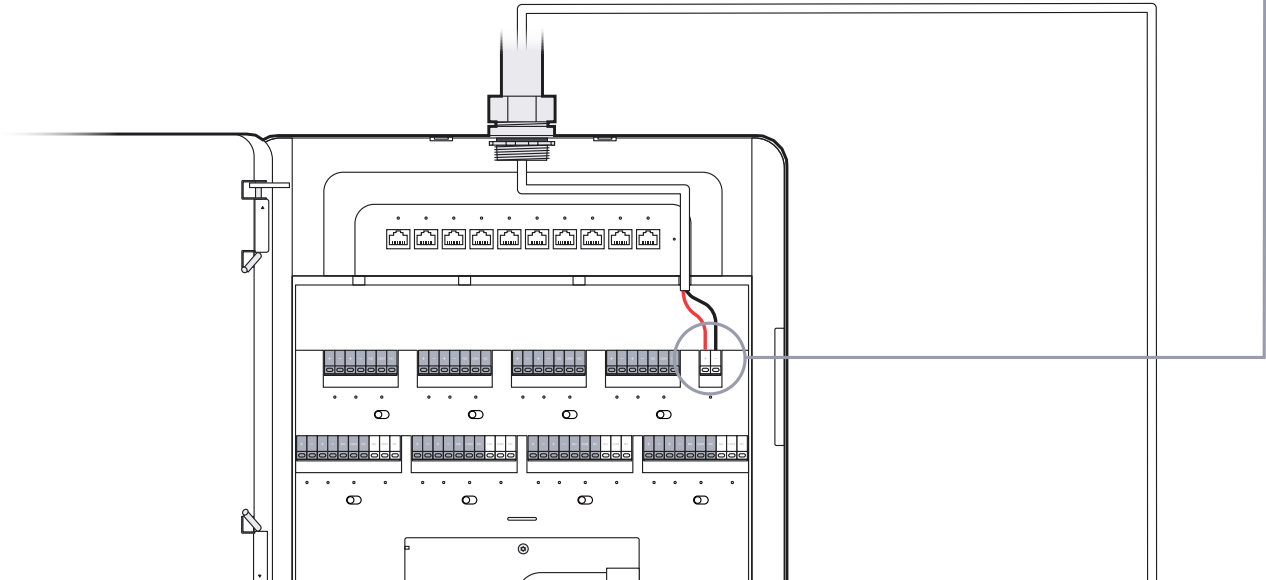
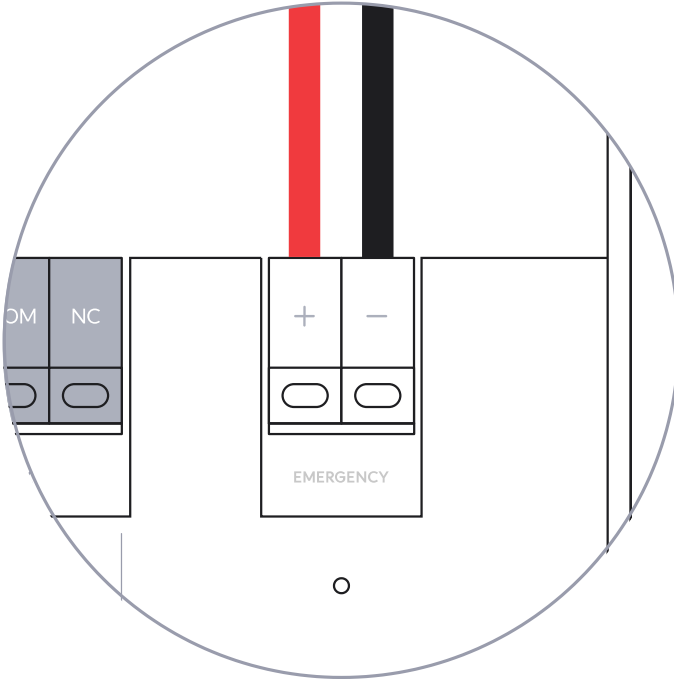
[Buy >](#)

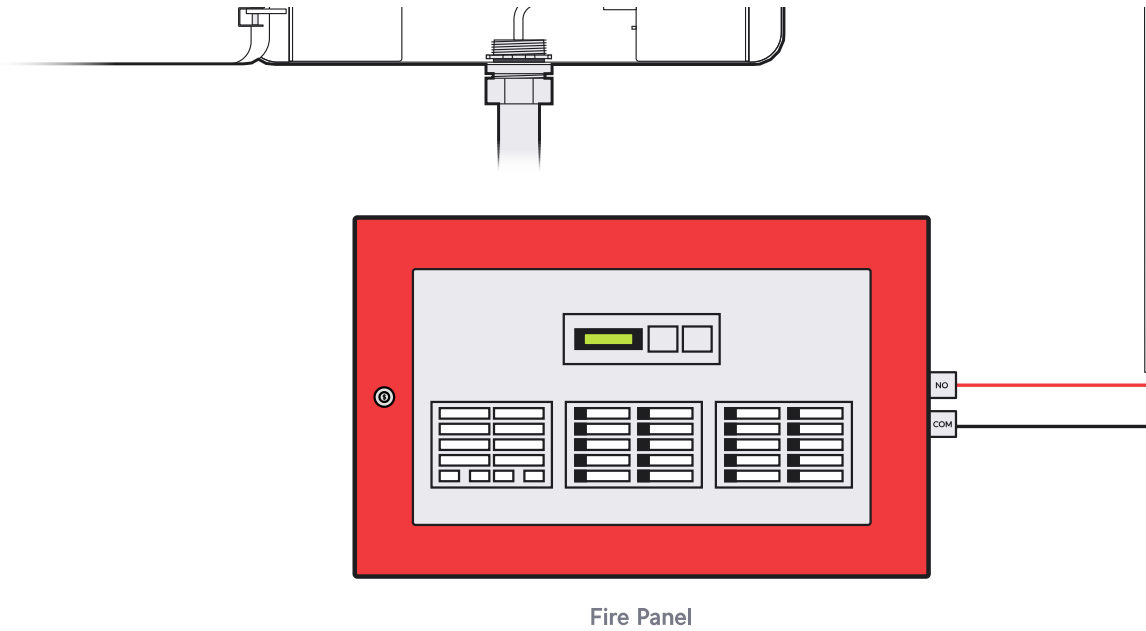




Door Lock 1-Pair Relay Cable

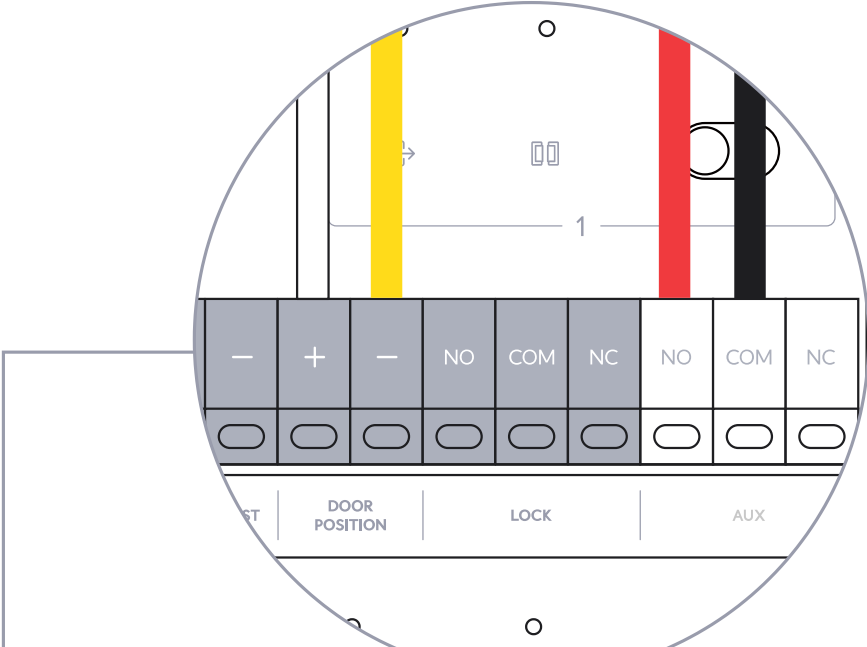
[Buy >](#)

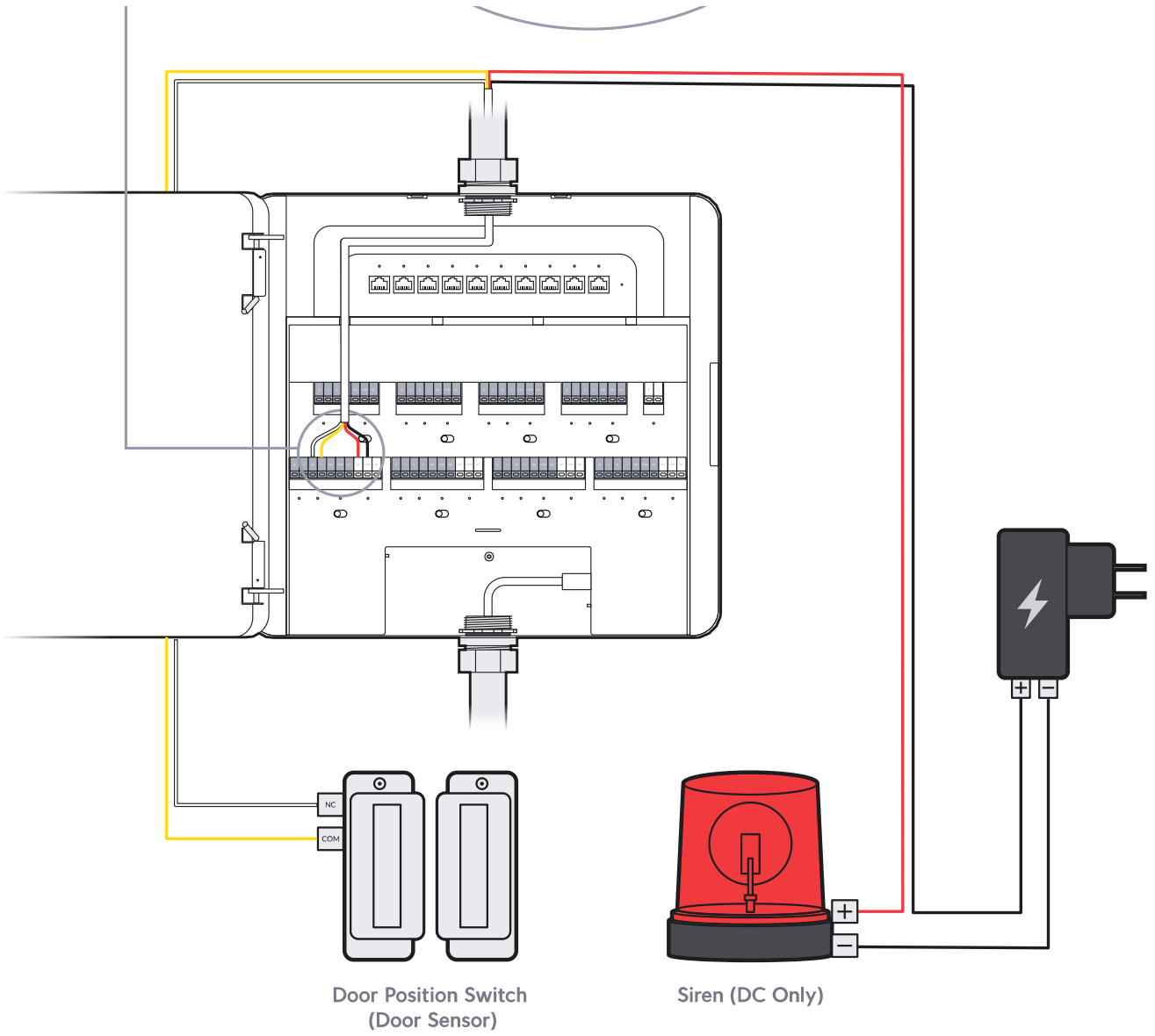




Door Lock 2-Pair Relay Cable

[Buy >](#)

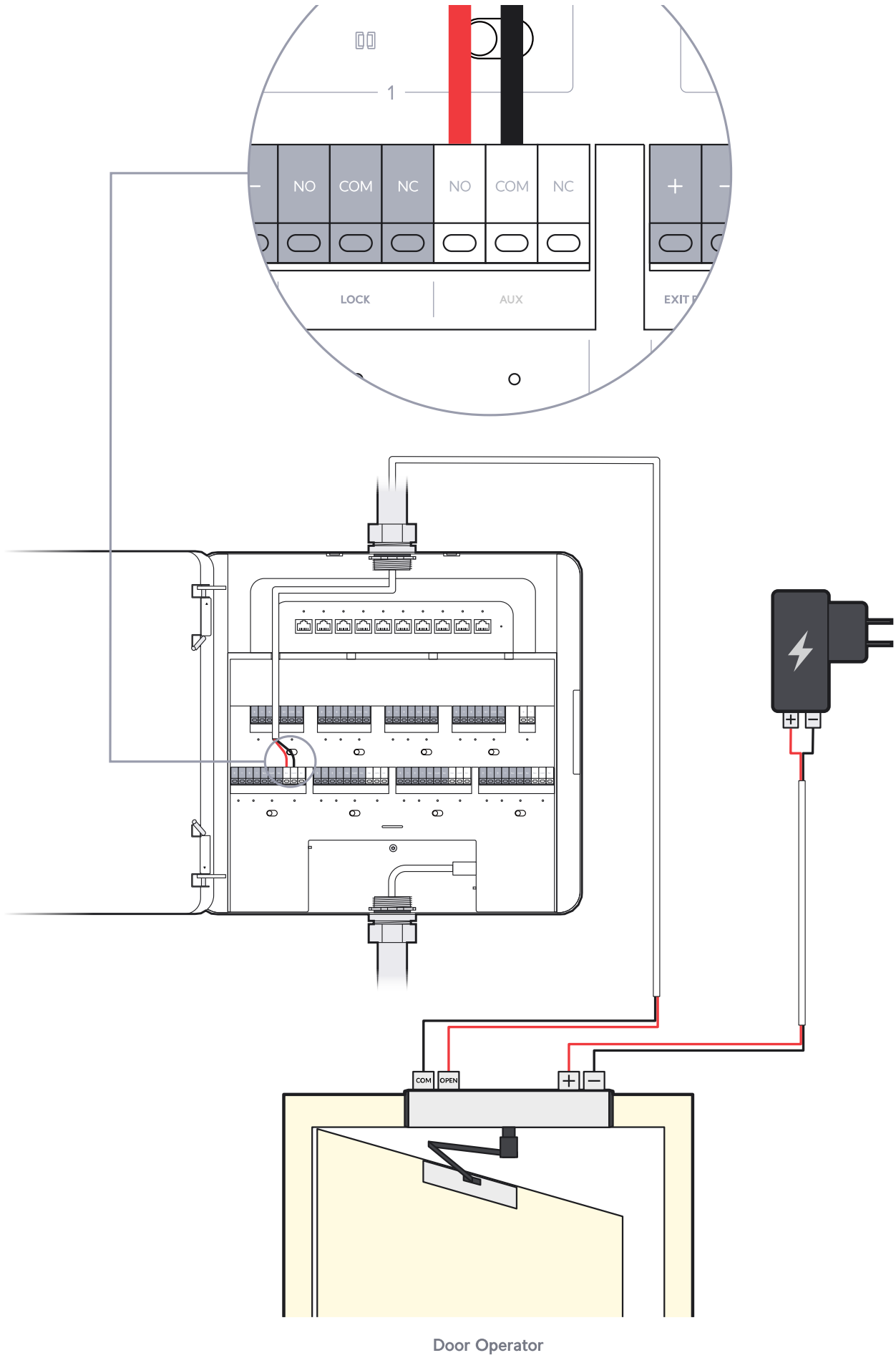




Door Lock 1-Pair Relay Cable

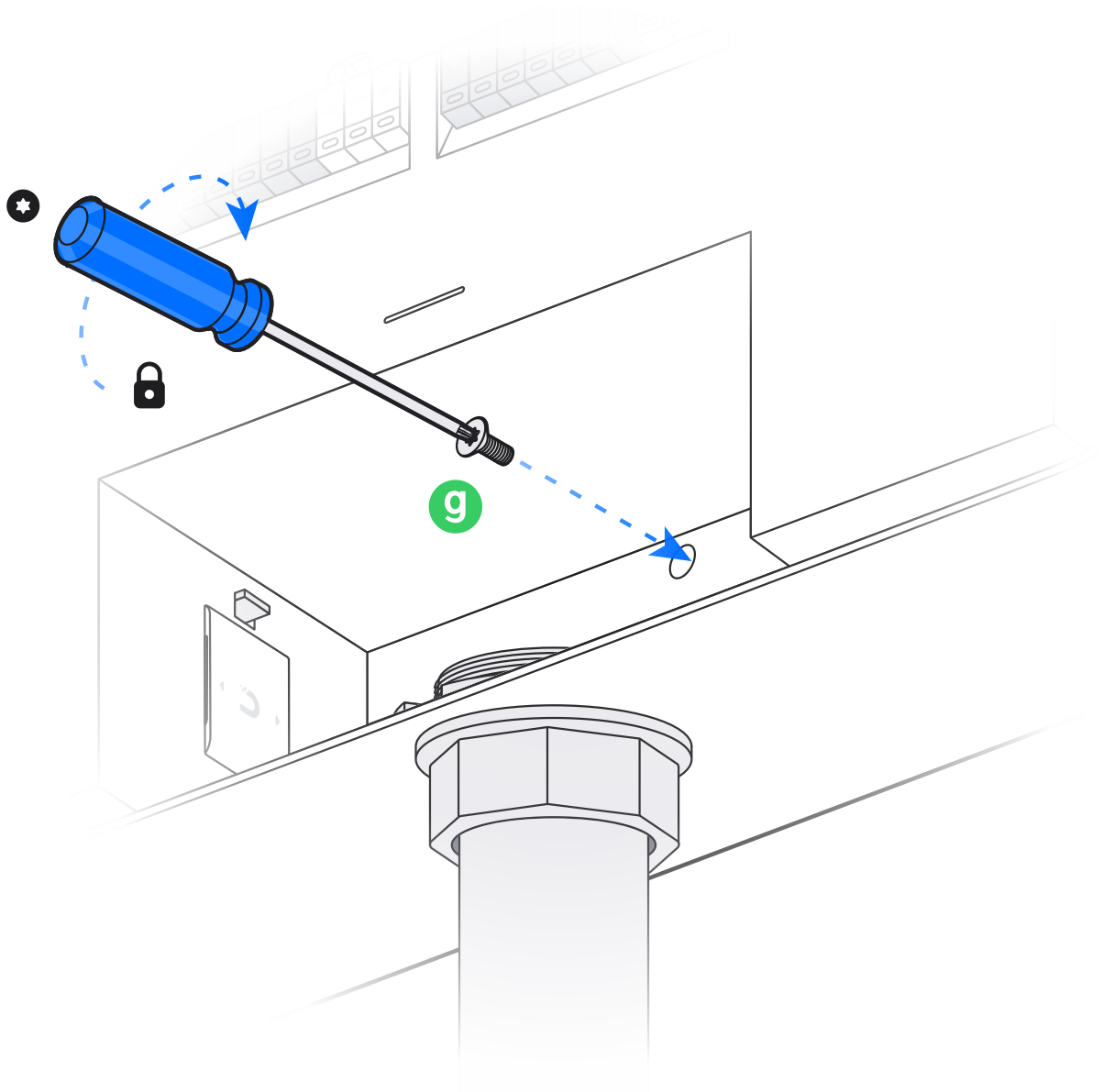
[Buy >](#)







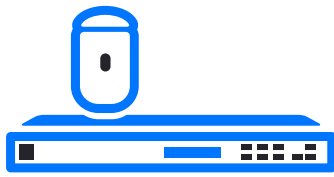
T8
T8 screw icon
1x
g



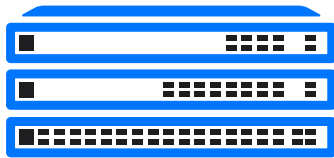
10



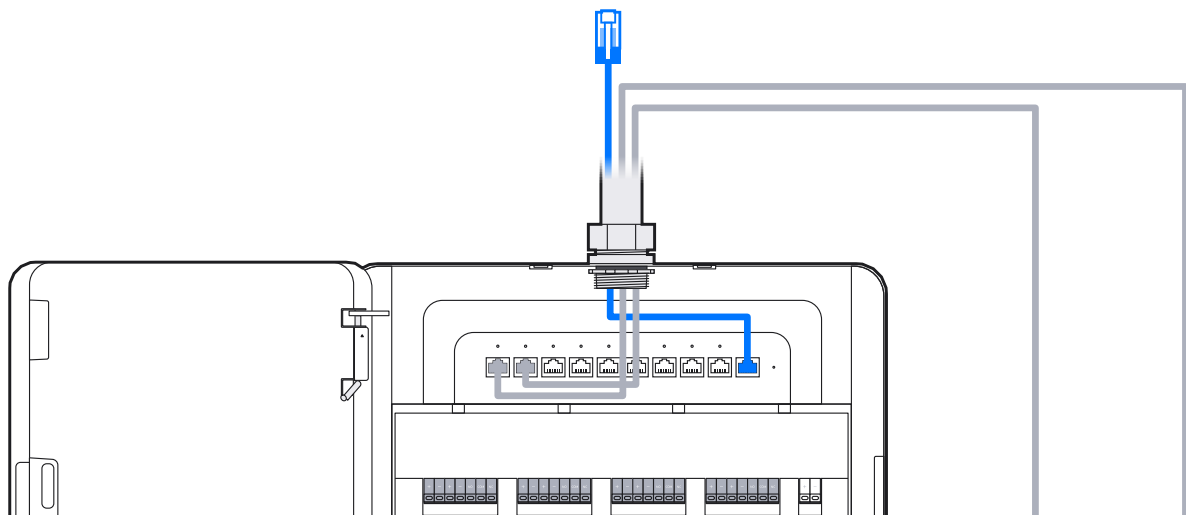
Internet

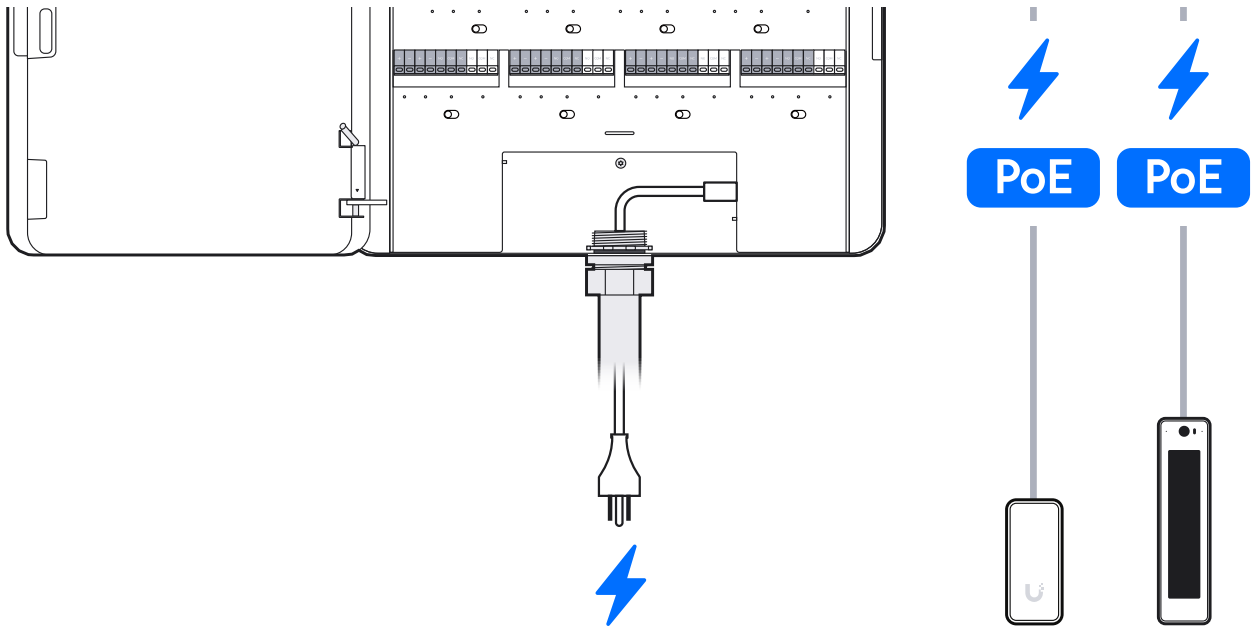


UniFi Cloud Gateway

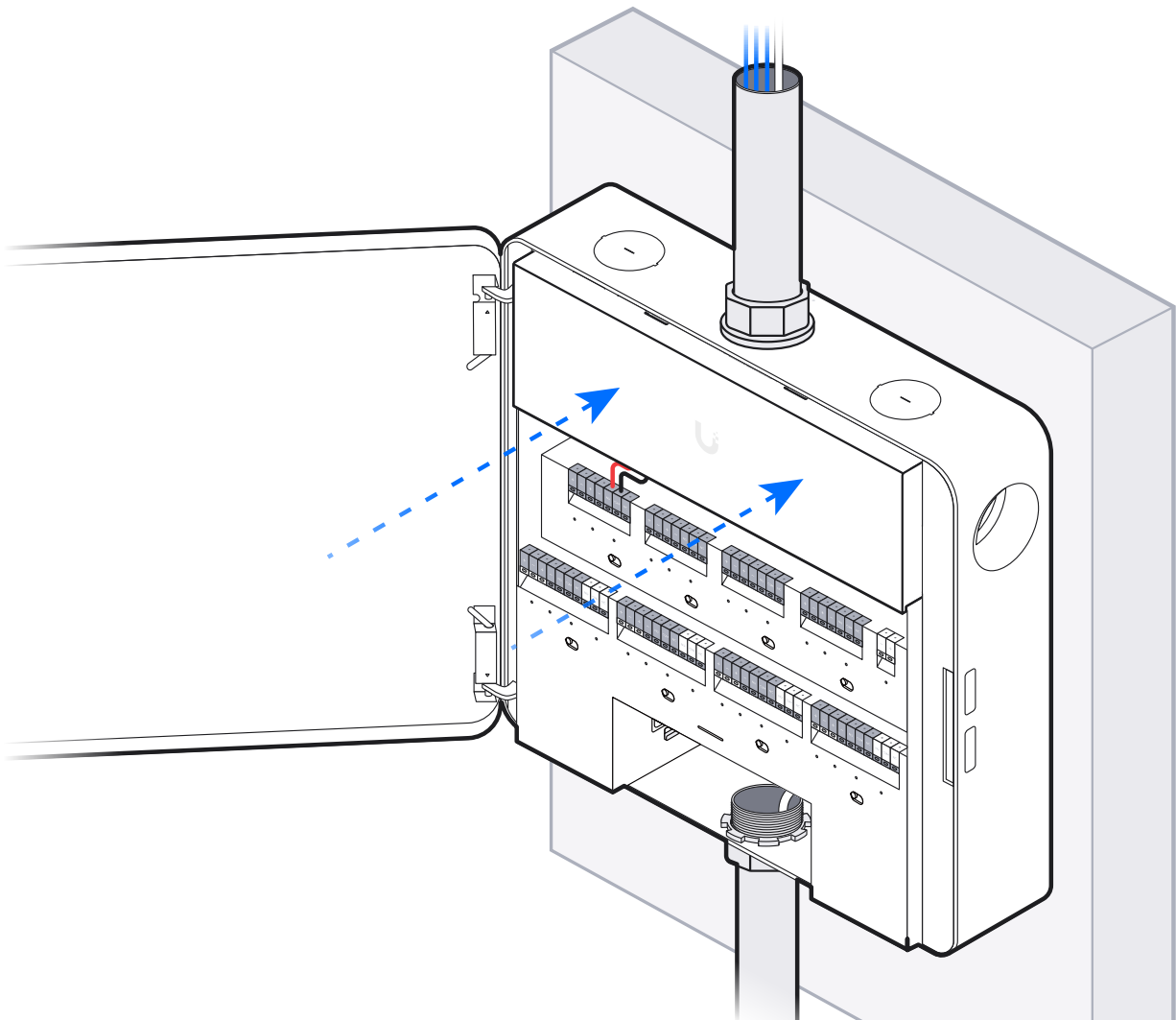


Switching

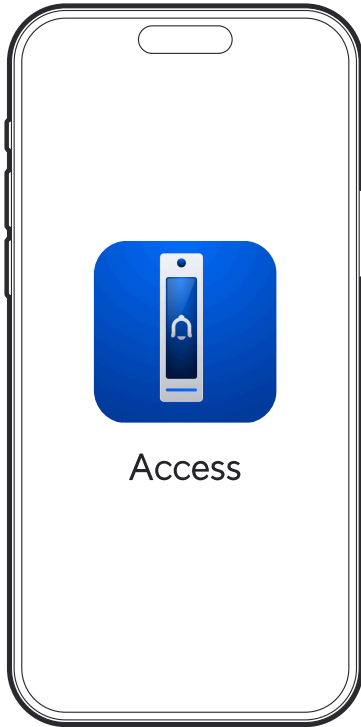
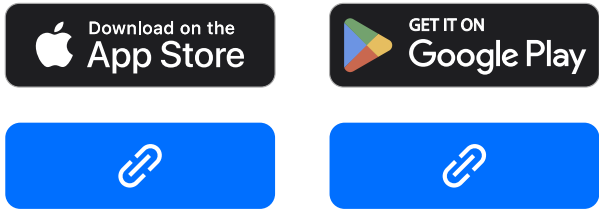




11



12

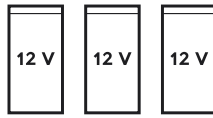




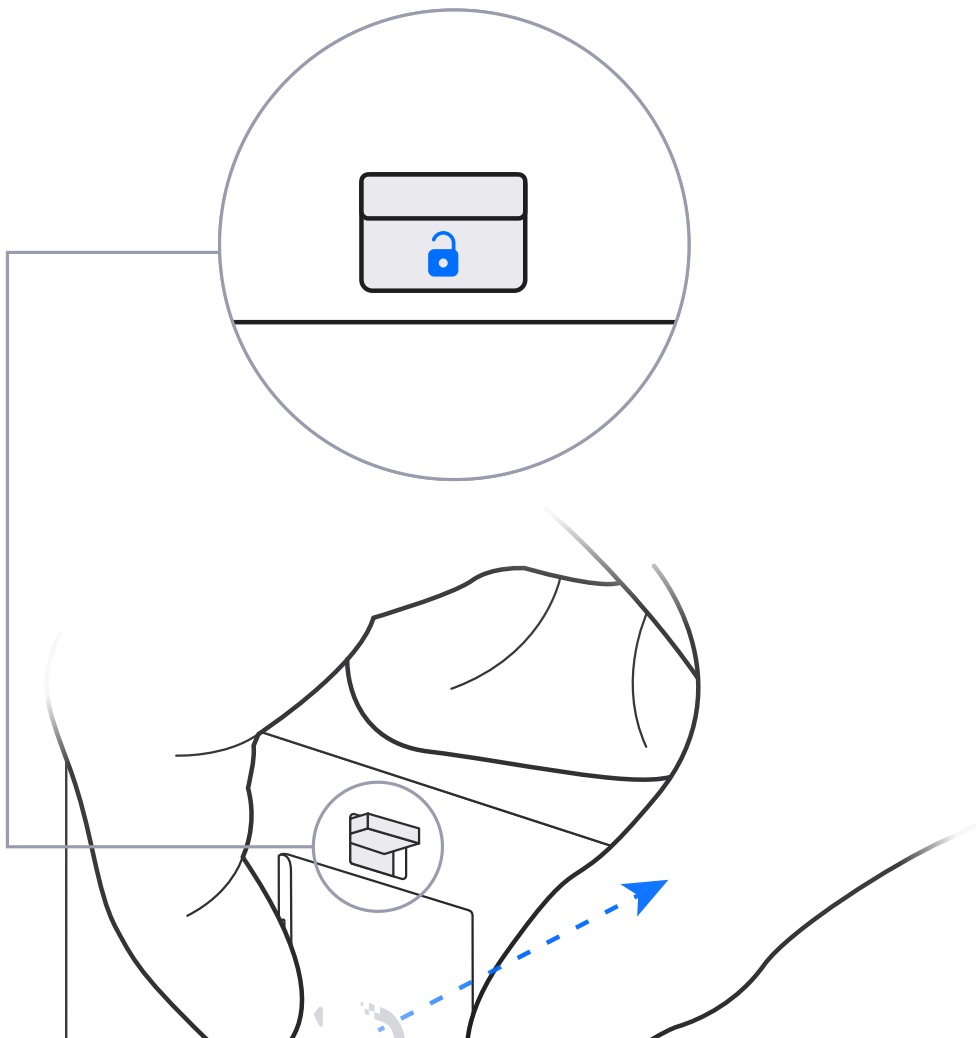
1x

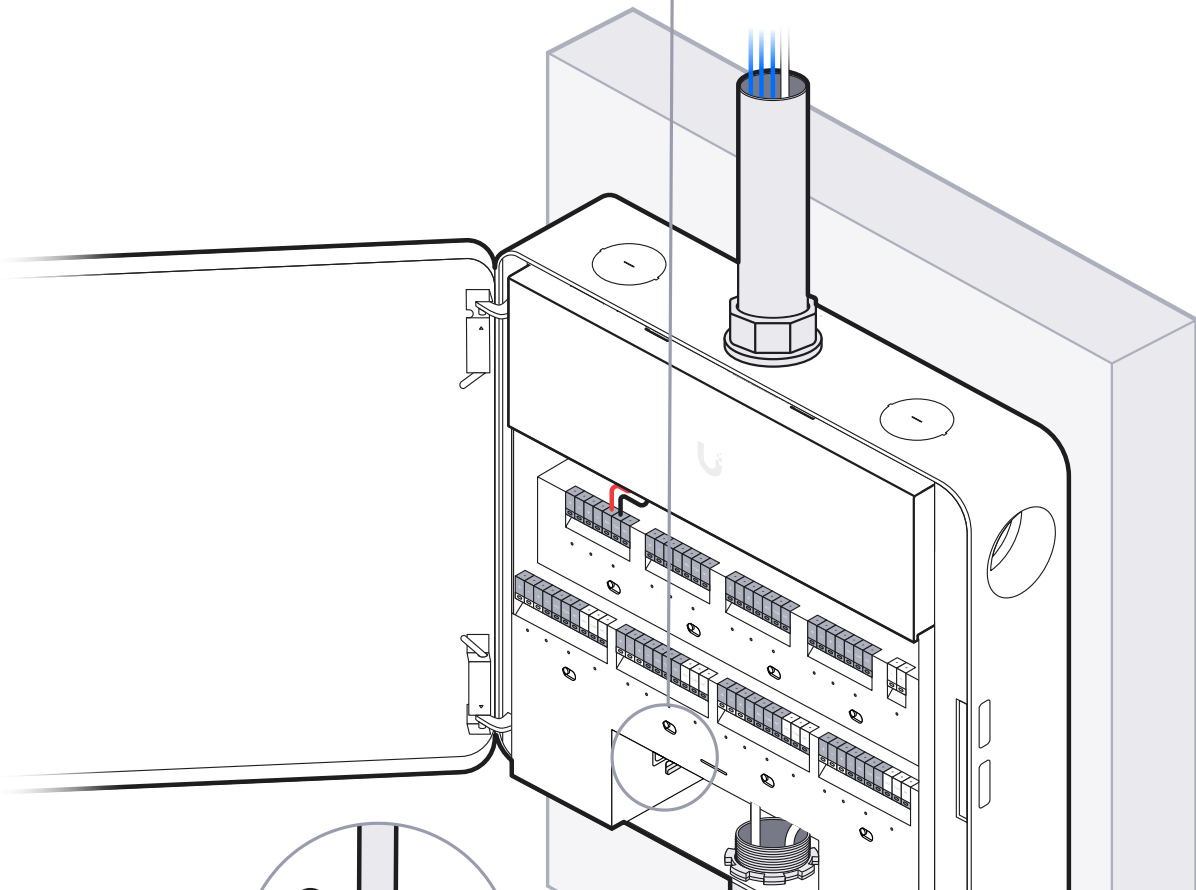
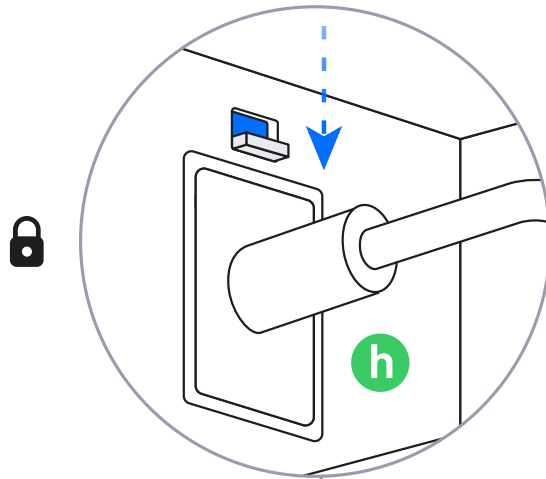
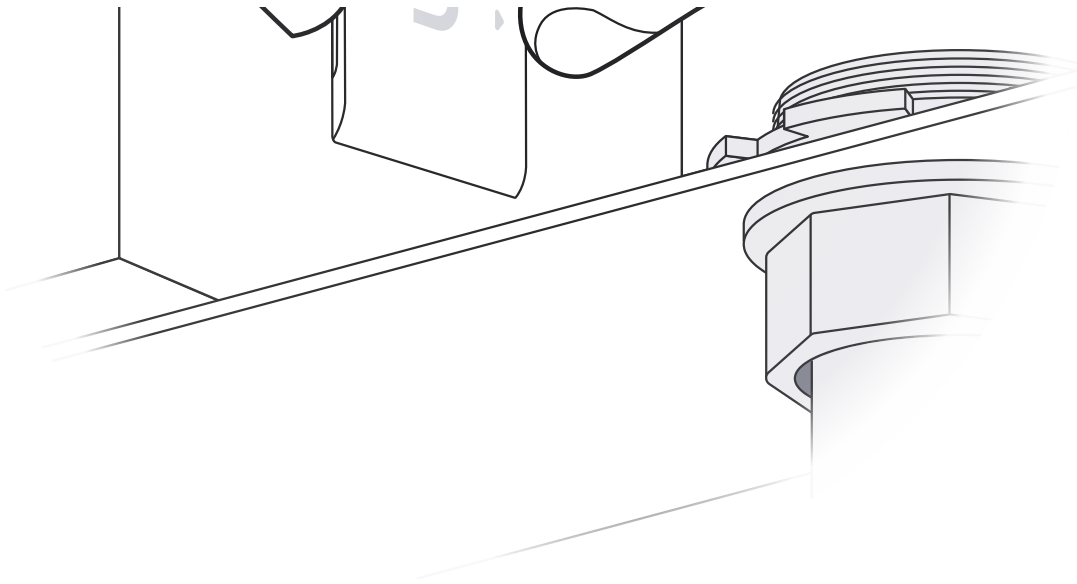


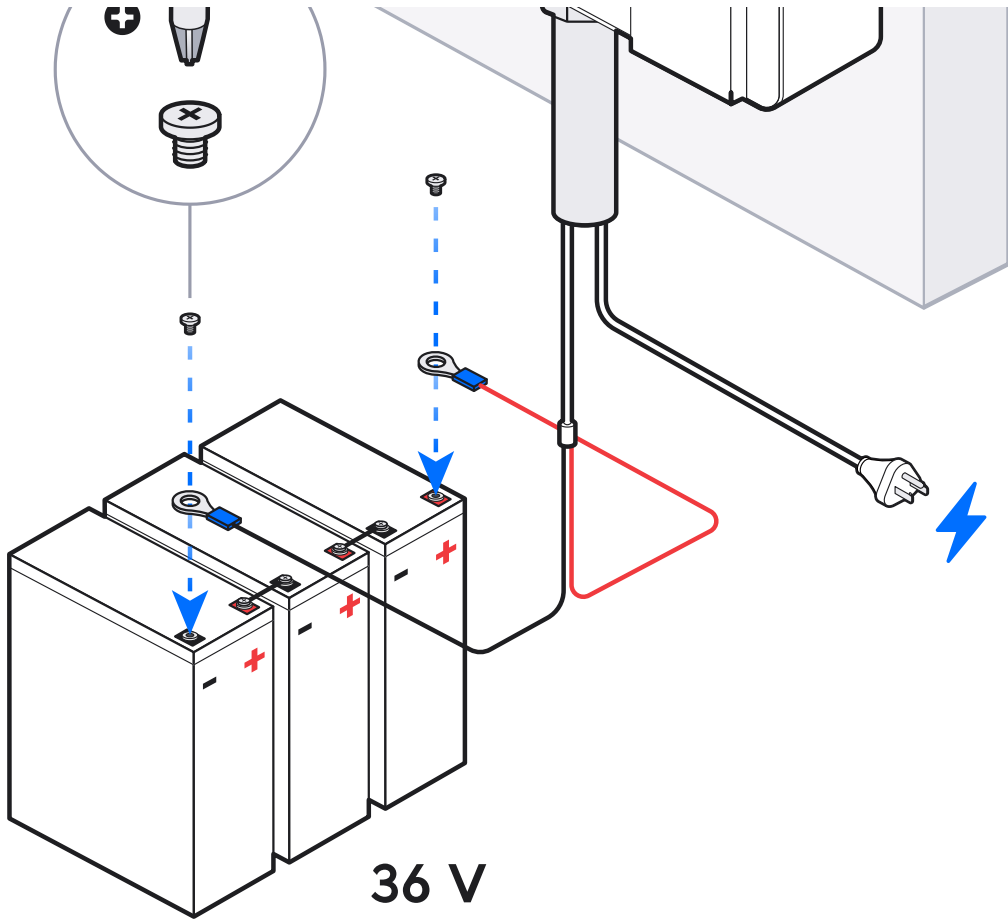
36V lead-acid battery




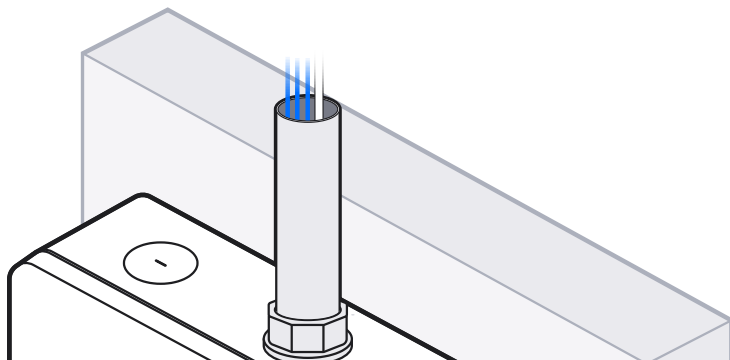
1x

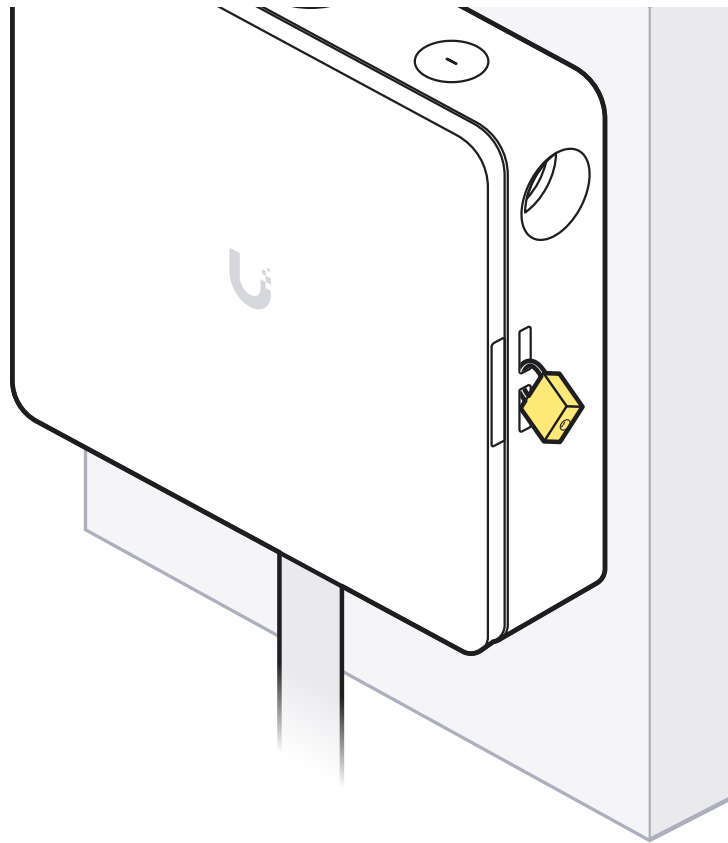







1x





If you need further assistance, visit our [Help Center](#) or contact [Ubiquiti Support](#).

©2023 Ubiquiti Inc. All rights reserved. Ubiquiti, the Ubiquiti U logo, and UniFi Access are trademarks or registered trademarks of Ubiquiti Inc. in the United States and in other countries. Apple and the Apple logo are trademarks of Apple Inc., registered in the U.S. and other countries. Android, Google, Google Play and the Google Play logo are trademarks of Google LLC.

