




# Enterprise Campus Aggregation

UniFi Network

# MC-LAG Deployment Topologies

 Watch the Tutorial



1x

**a**



2x

**b**



2x

**c**



16x

**d**



2x

**e**

10#-32



4x

**f**



2x

**g**



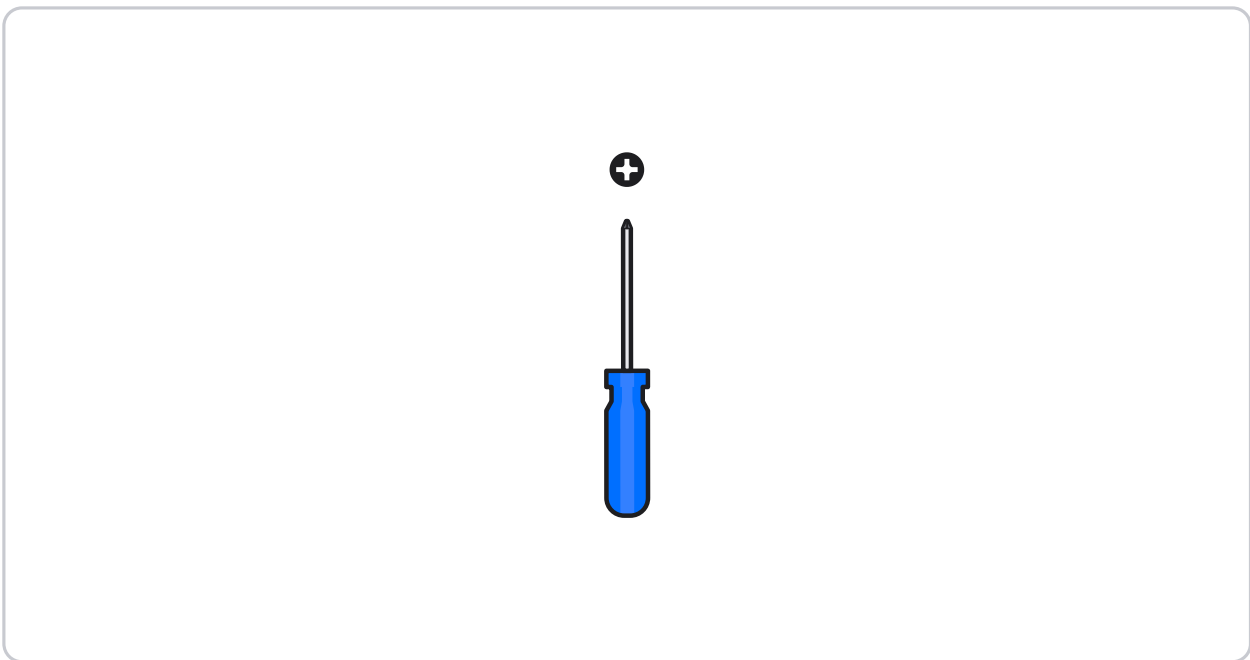
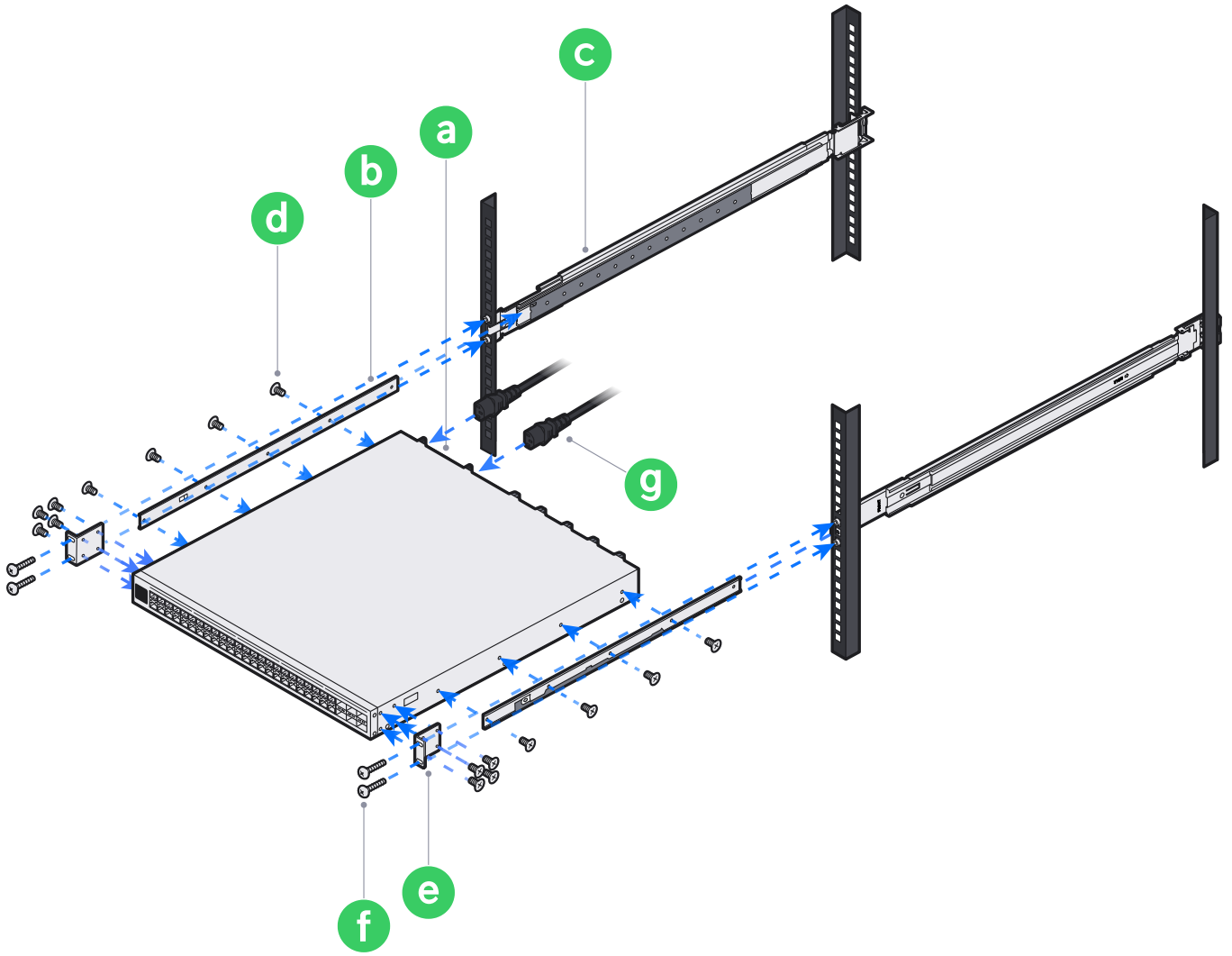
2x

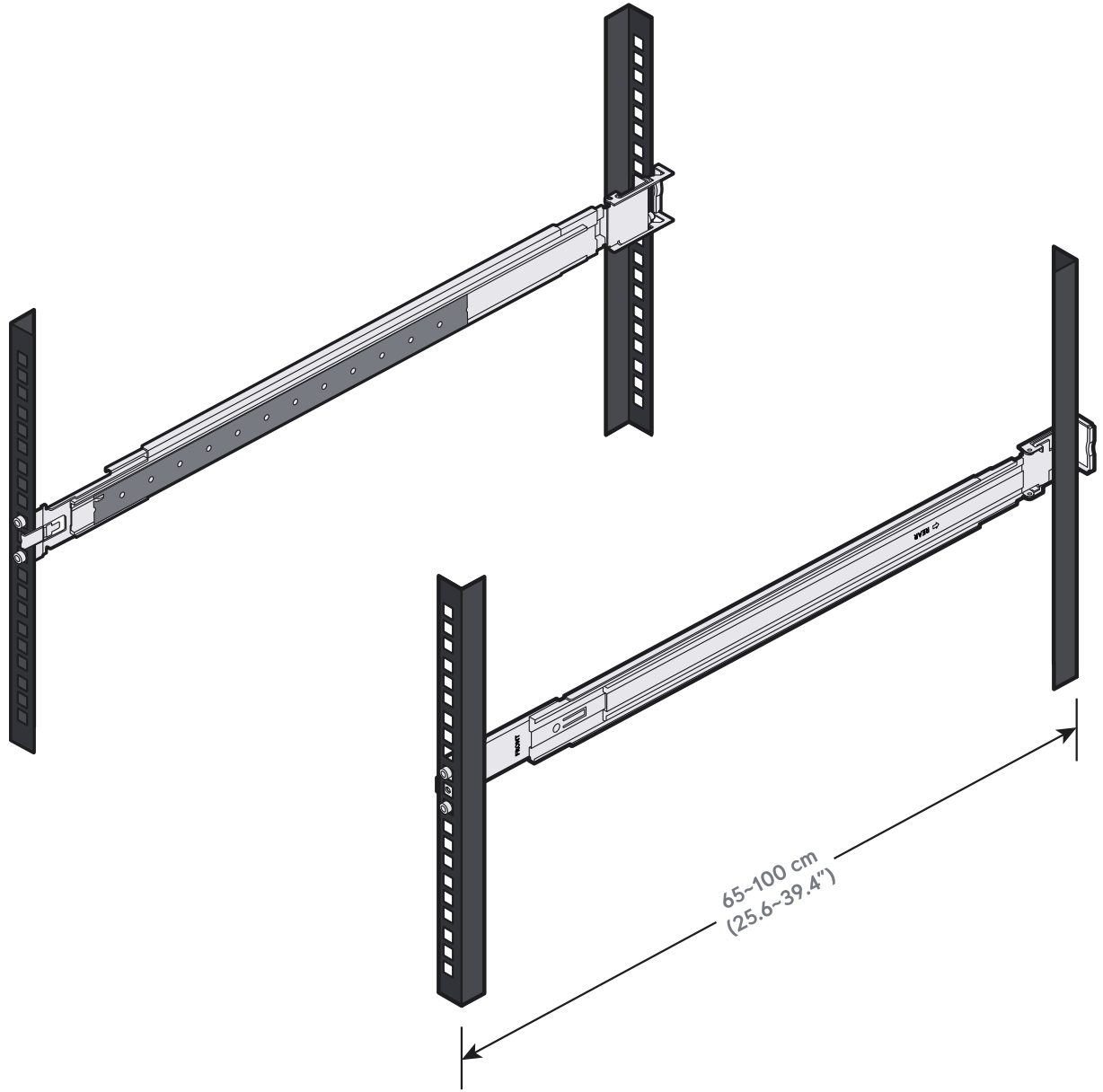
**h**









2x

**i**

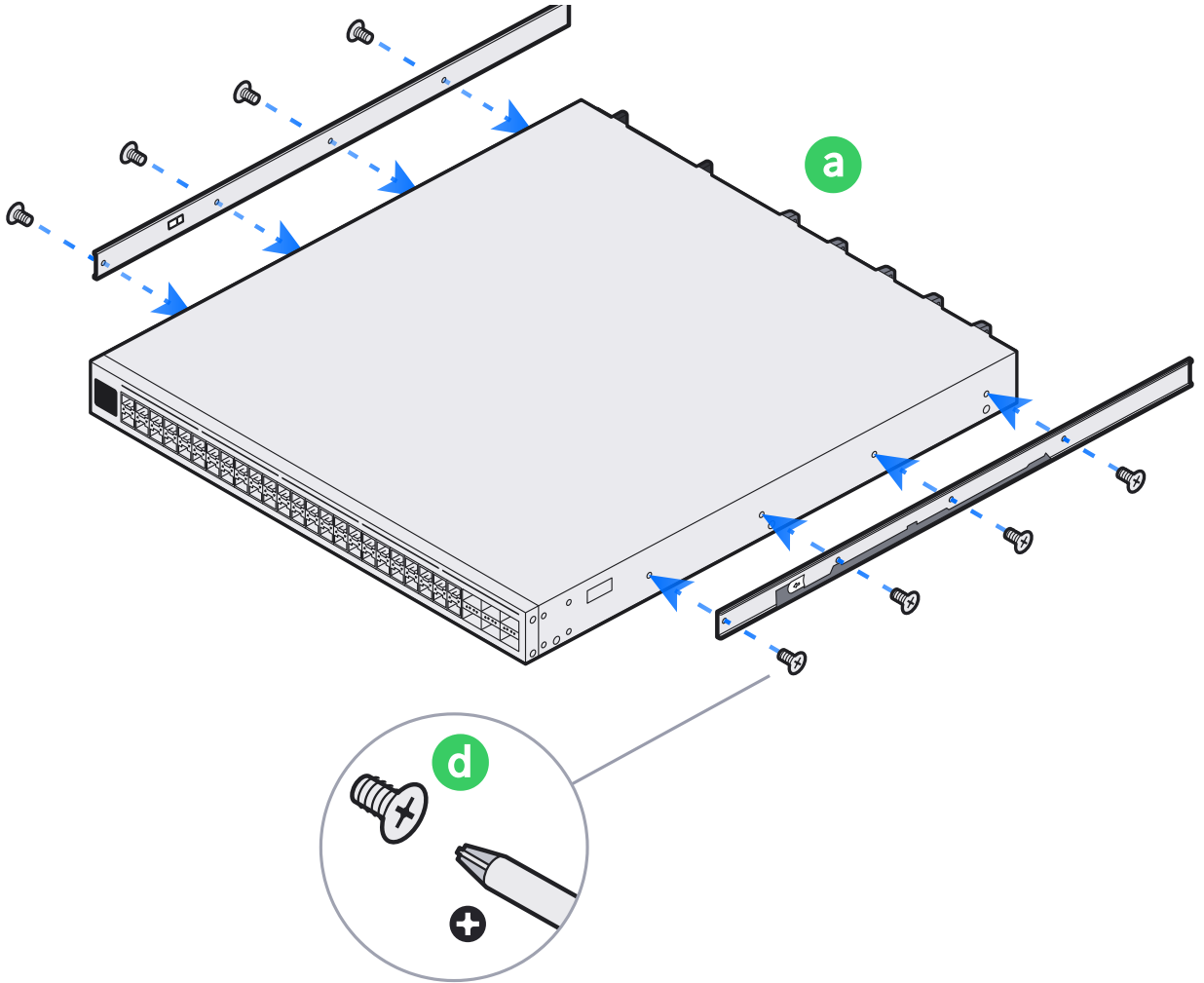




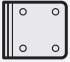




# 1

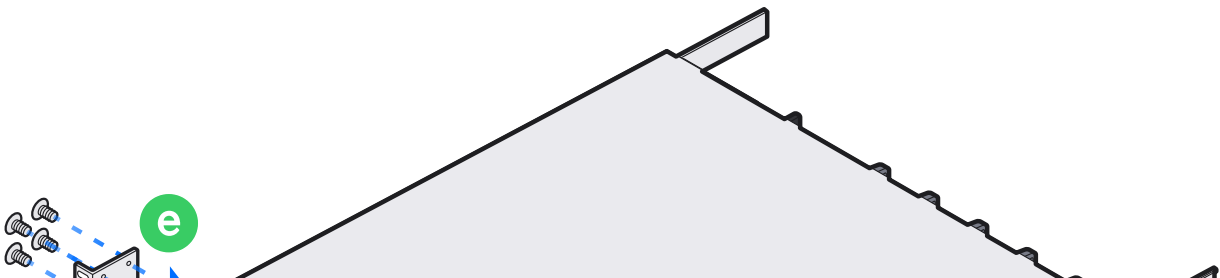
		
1x	2x	8x
		

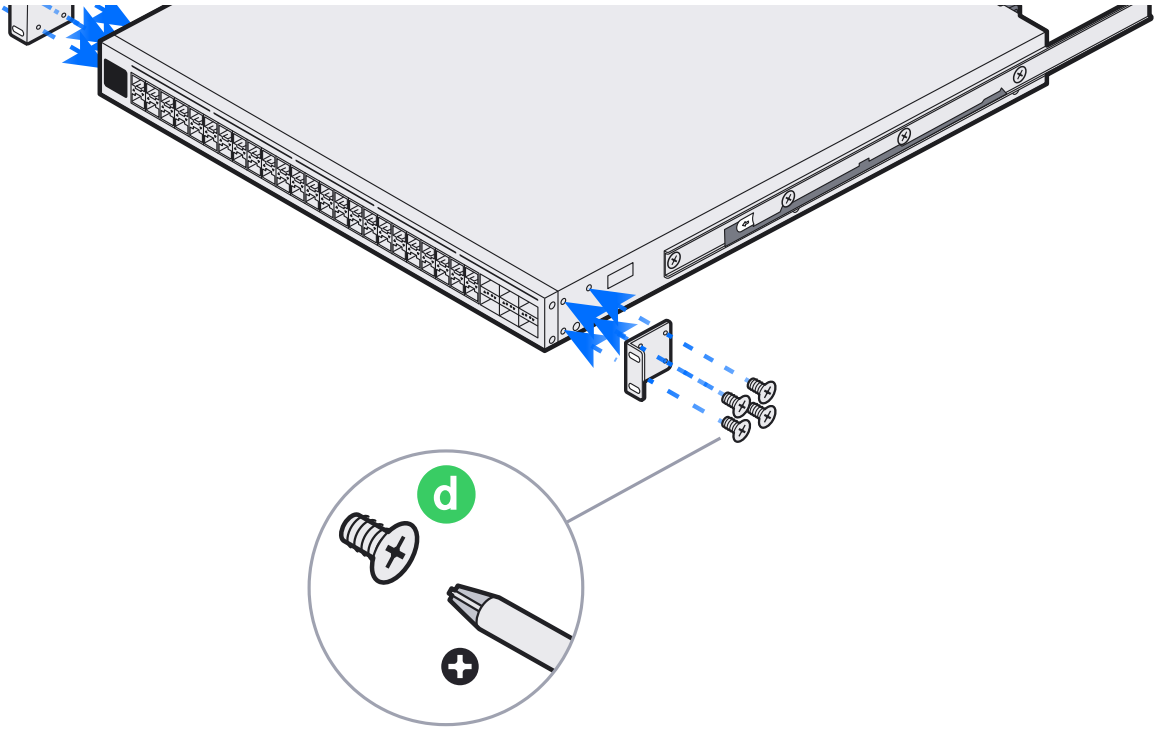




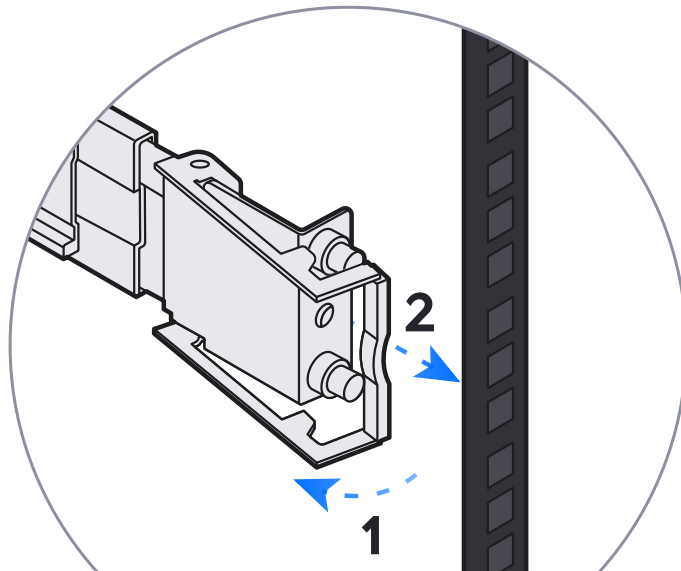
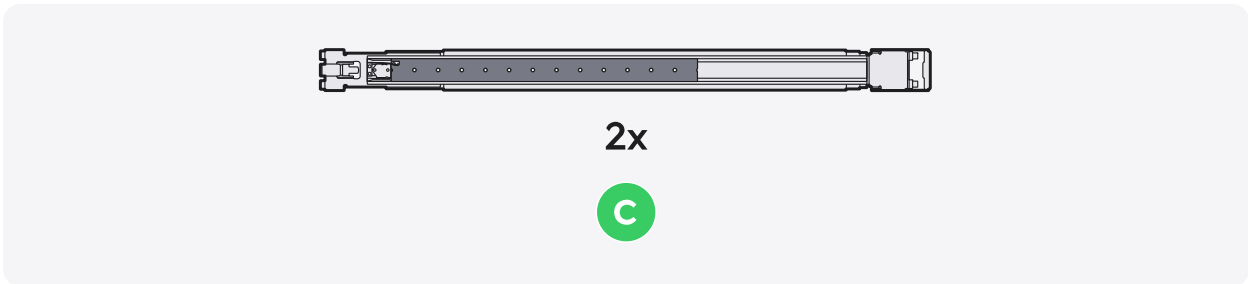
# 2

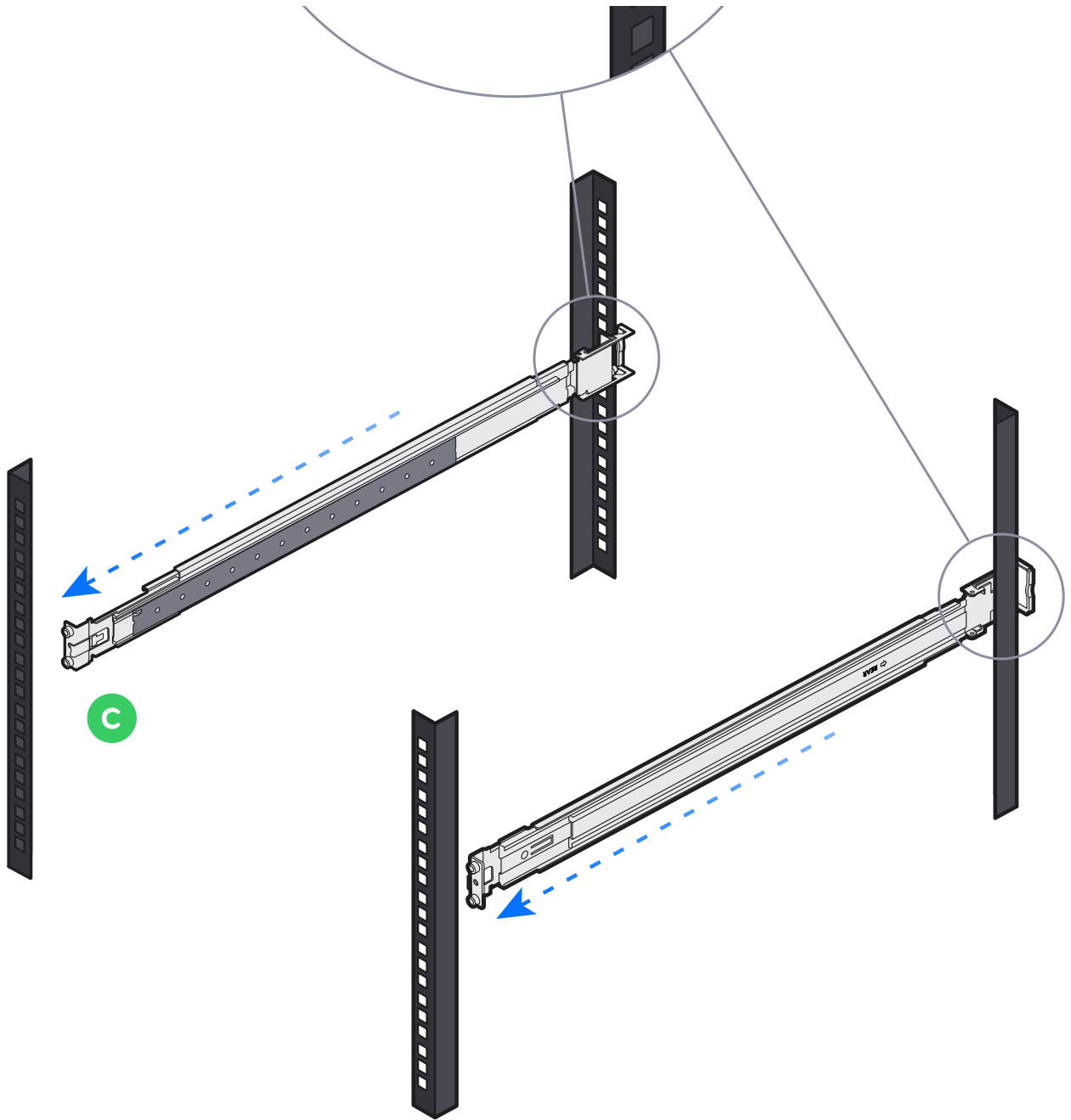
M4	
	
8x	2x
	



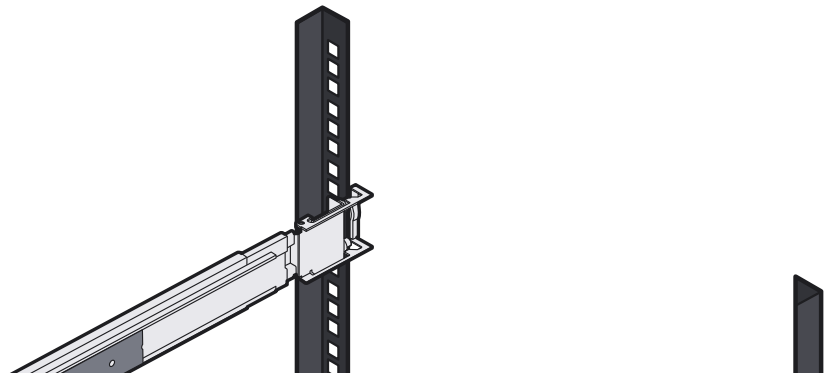


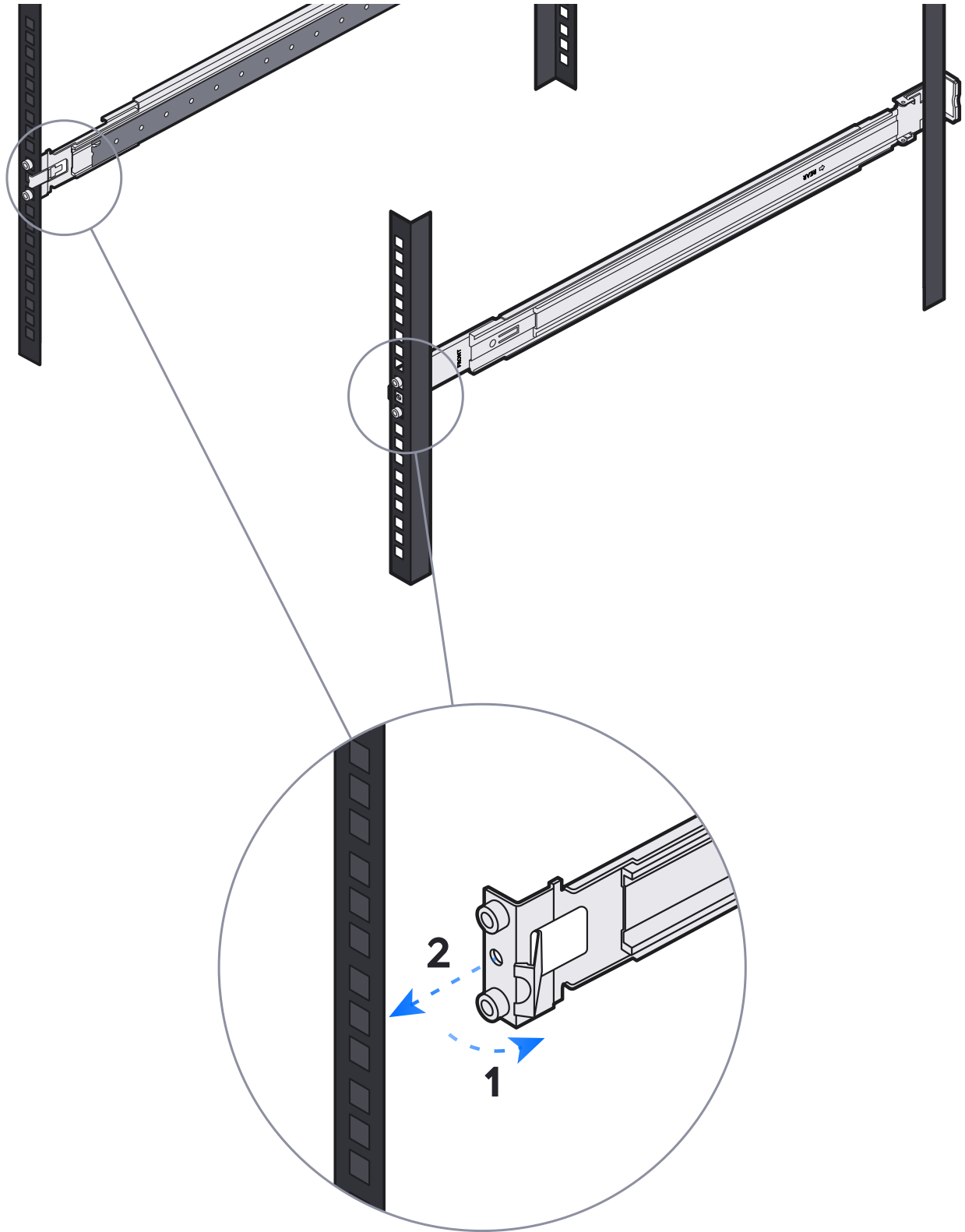
# 3





4



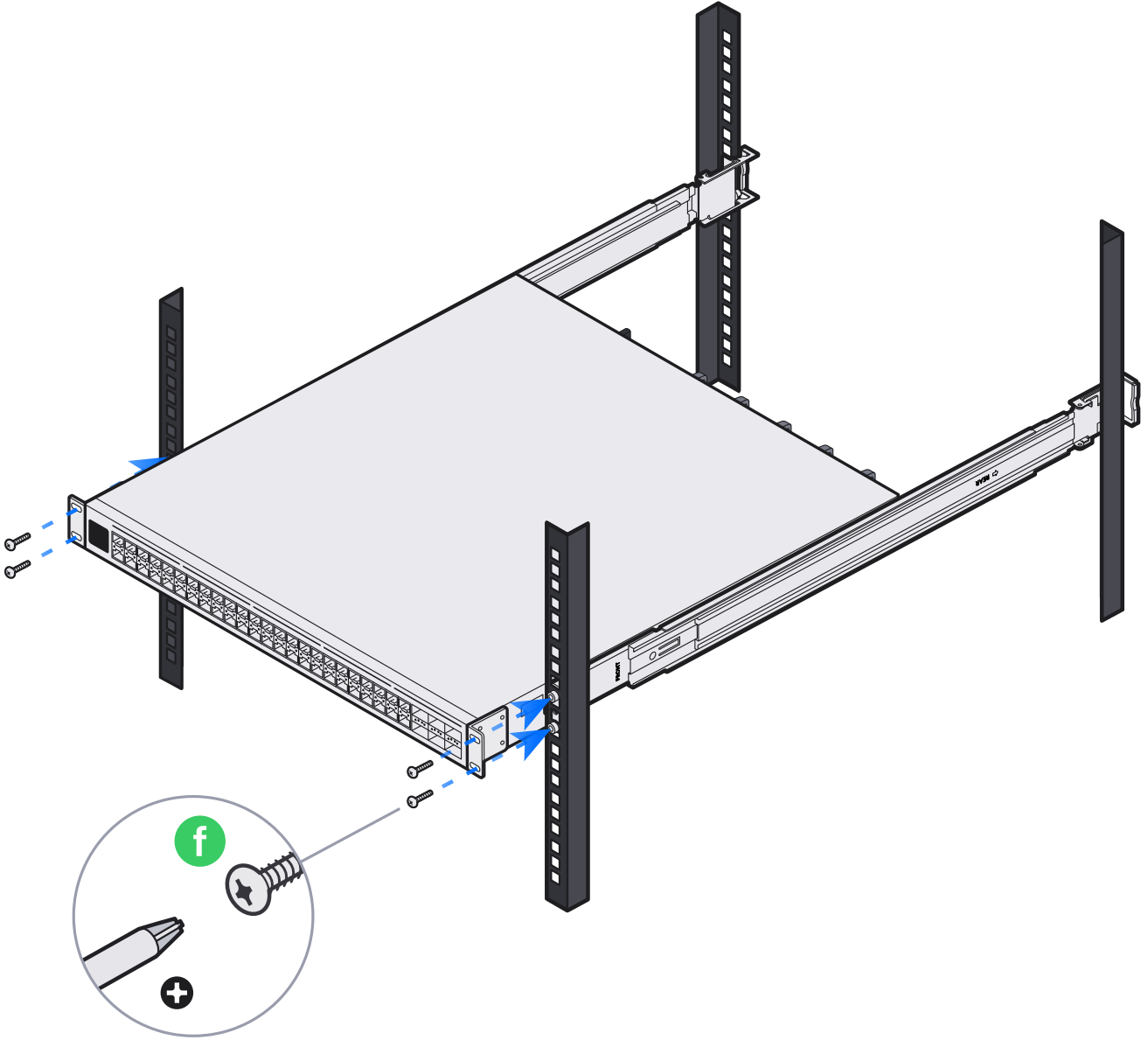


# 5

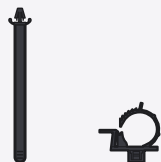
10#-32



4x



6

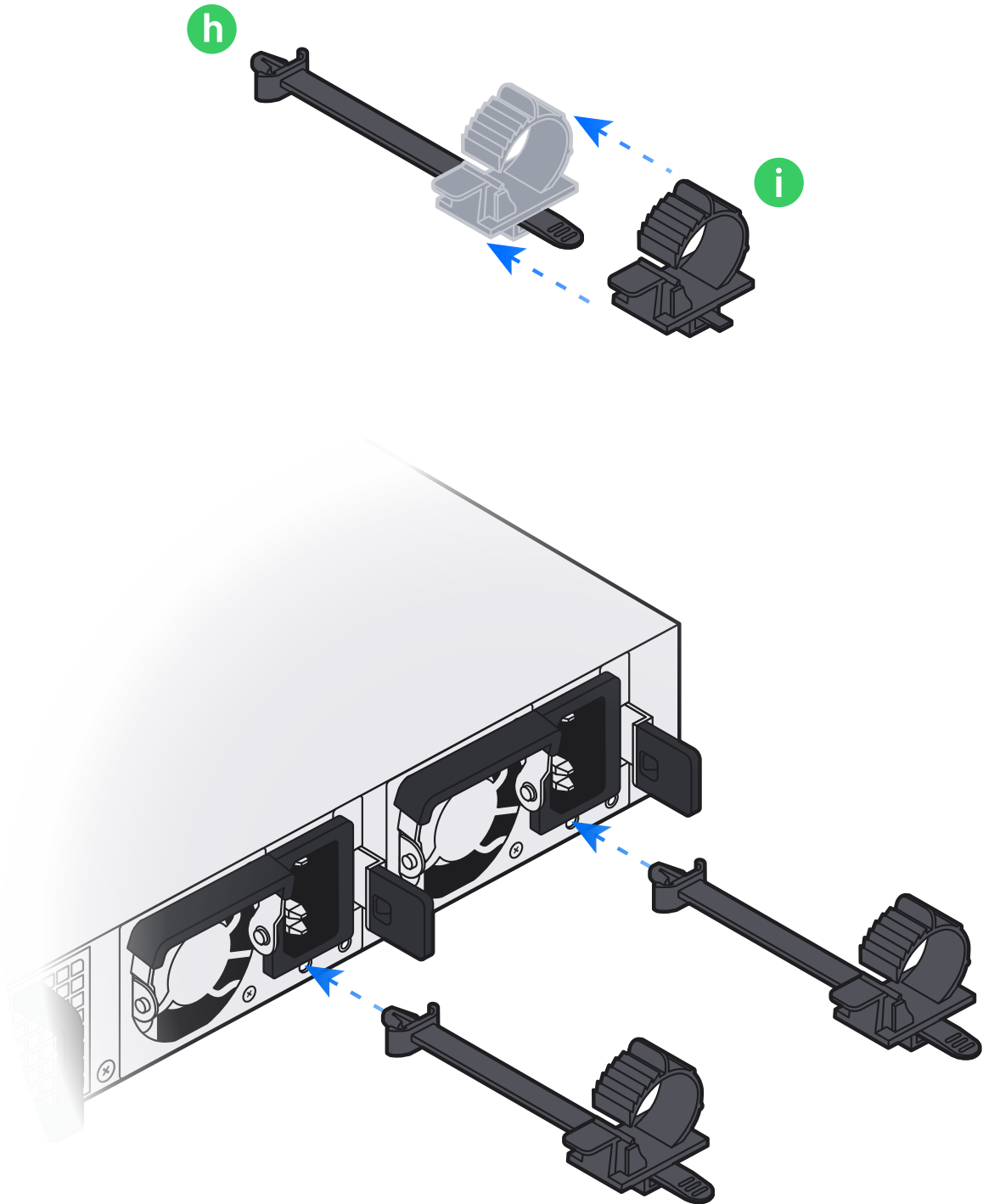


2x

2x

h

i

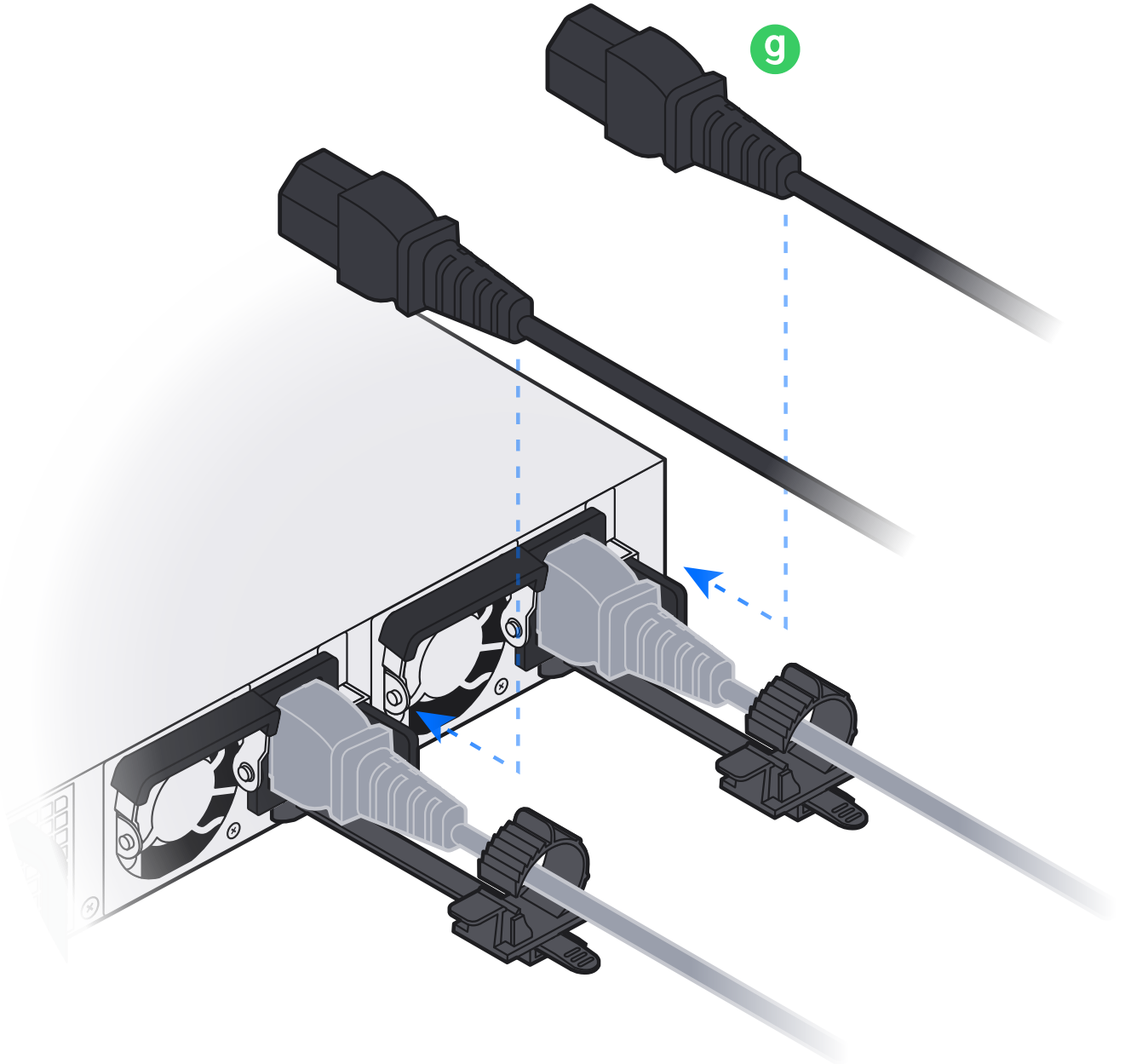


# 7

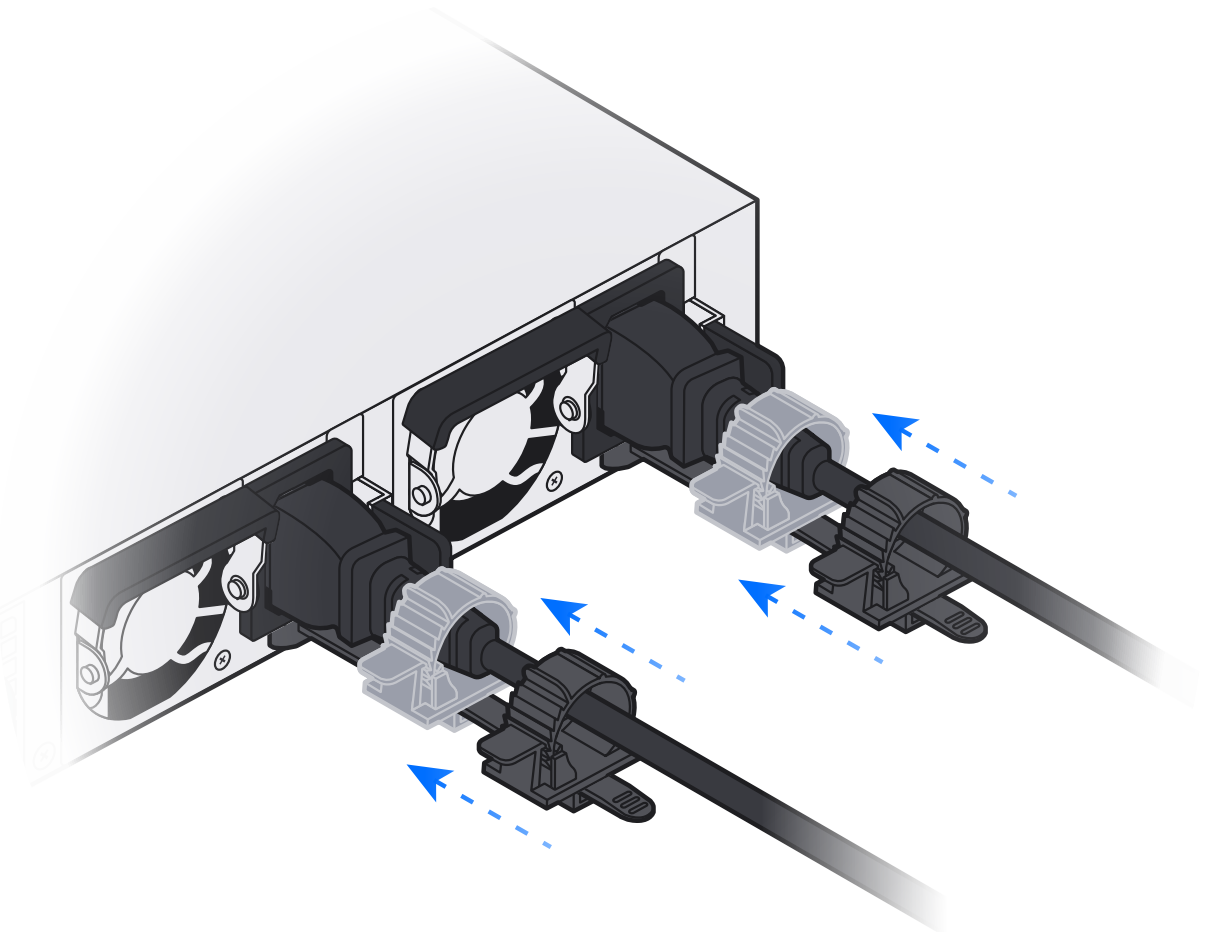
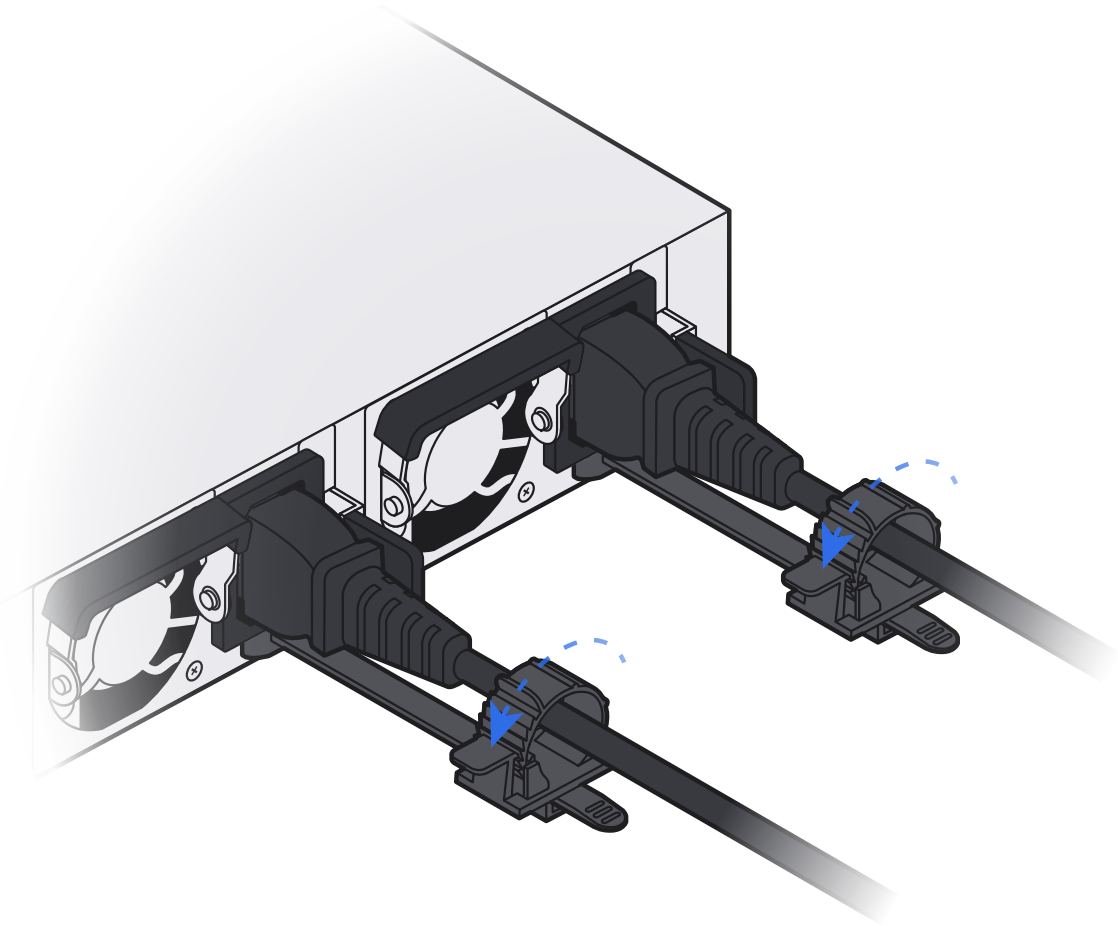


2x

g



8

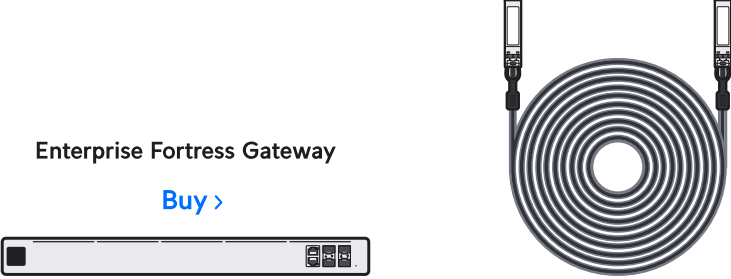


# 9

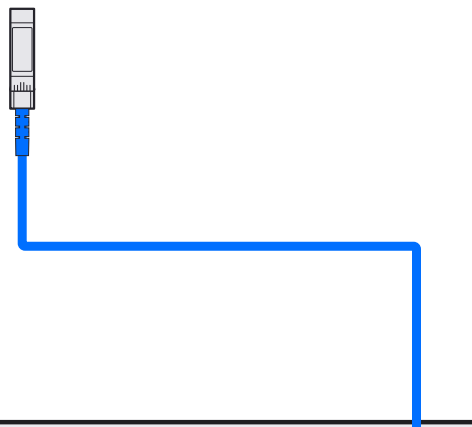
**A**

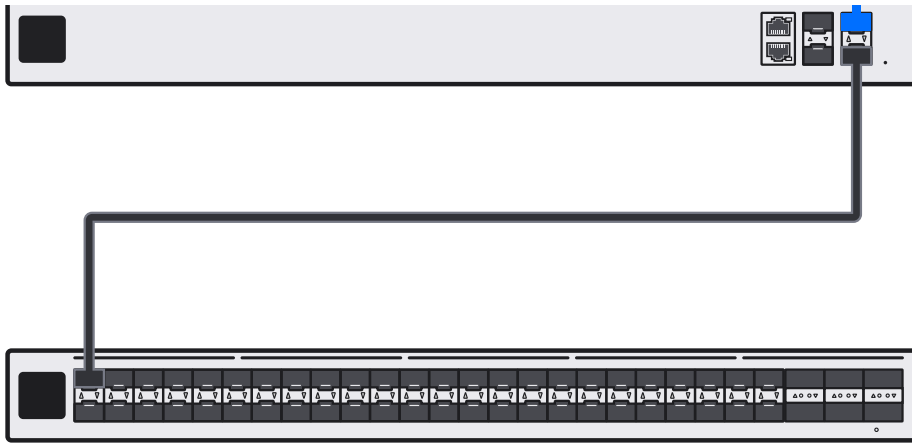
Enterprise Fortress Gateway  
[Buy >](#)

Direct Attach Cable  
[Buy >](#)

A diagram showing two items for purchase. On the left is an 'Enterprise Fortress Gateway', a long, thin, light-colored device with a power button on the left and several ports on the right. On the right is a 'Direct Attach Cable', a coiled grey cable with two RJ45 connectors at the ends.

**Internet**





# B

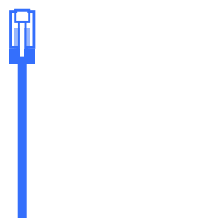
Enterprise Fortress Gateway  
[Buy >](#)

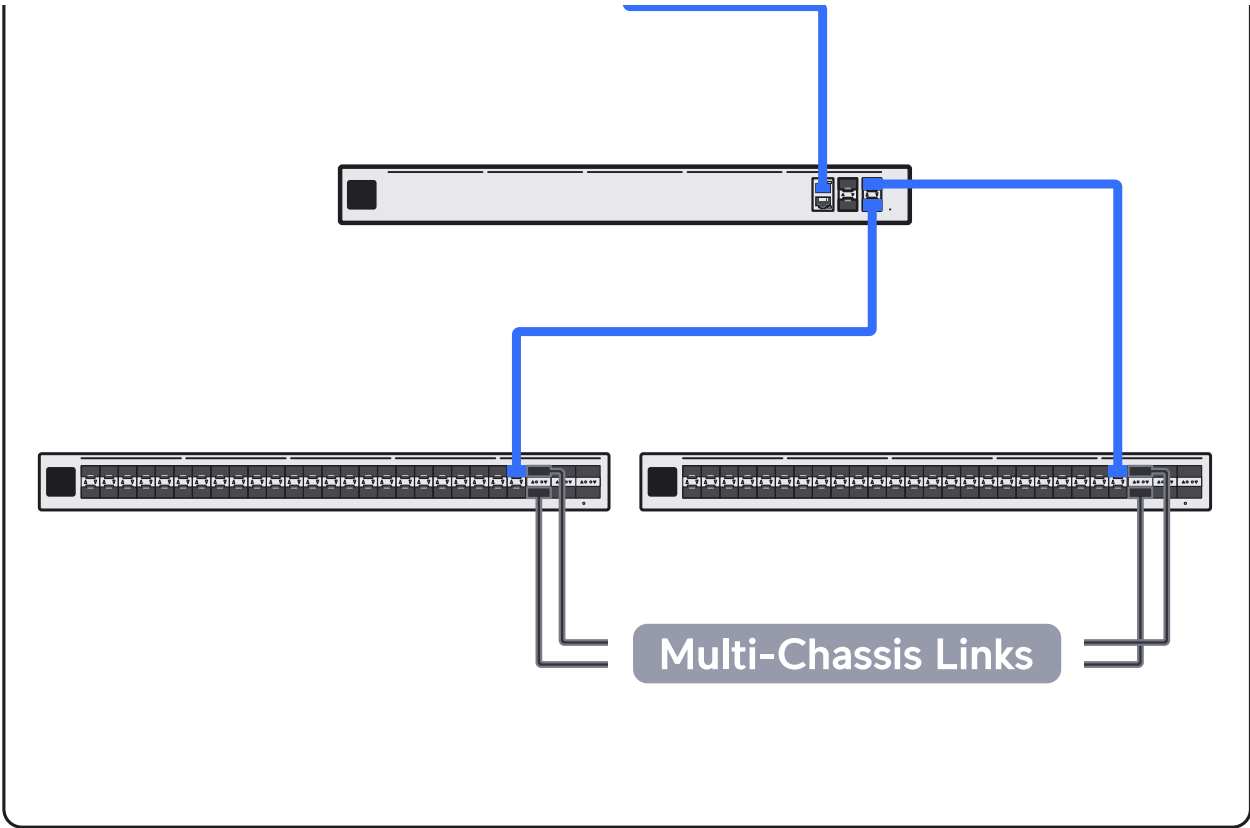
Direct Attach Cable  
[Buy >](#)

The image shows a small network device labeled 'Enterprise Fortress Gateway' and a coiled network cable labeled 'Direct Attach Cable'. Both items have a 'Buy >' link next to them.



# Internet



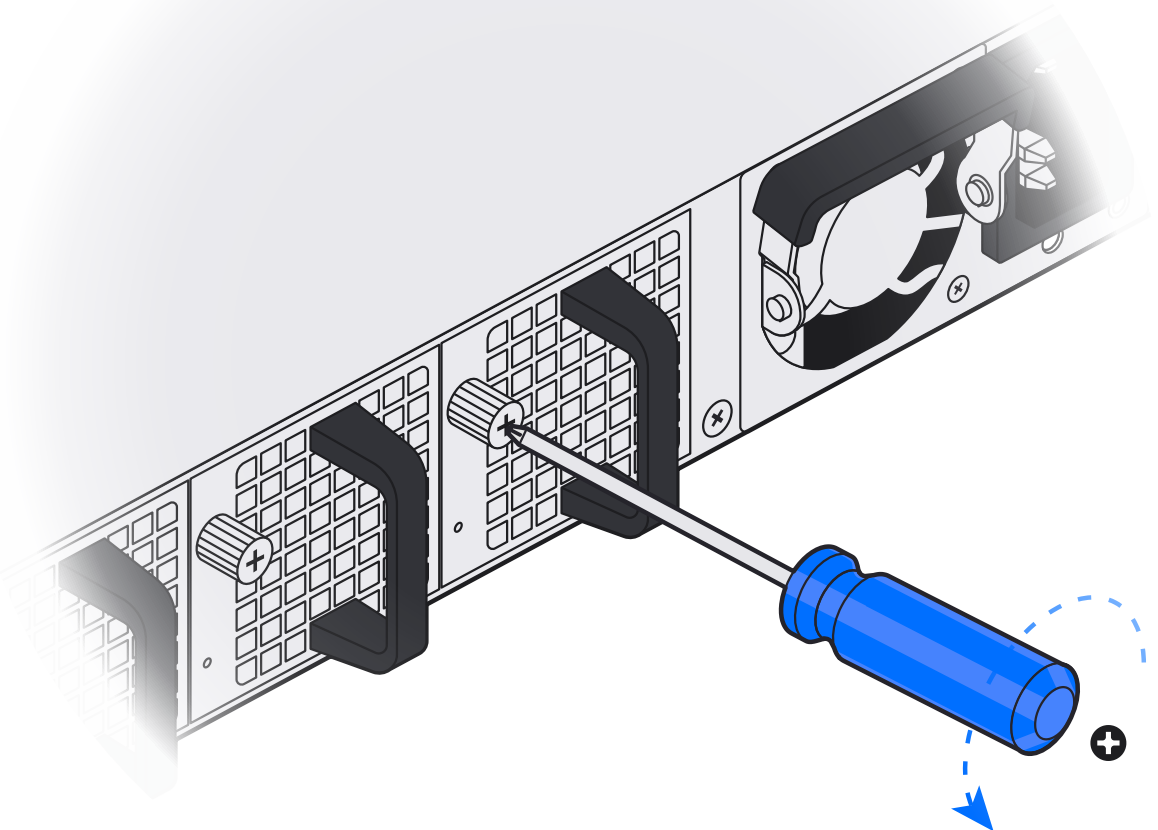


# 10

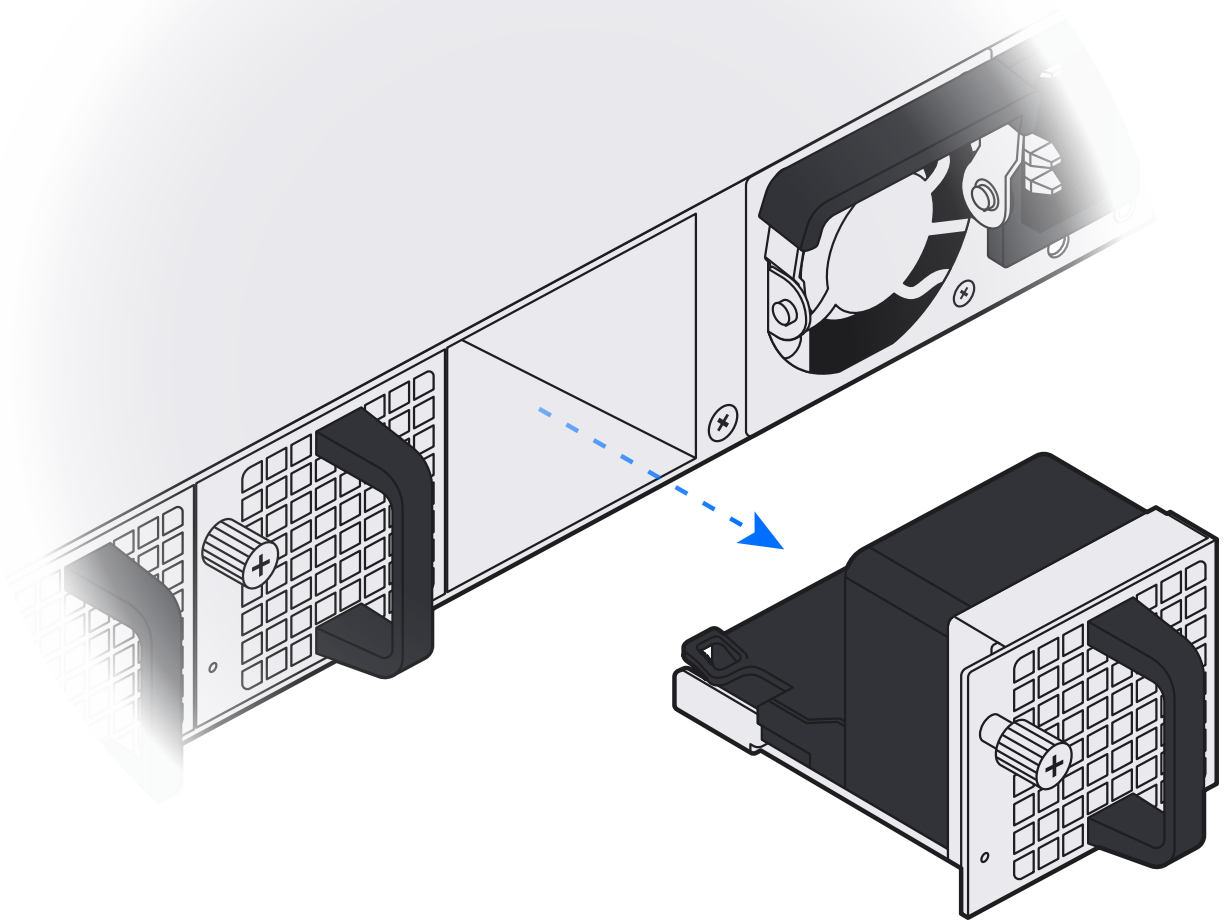




# 1

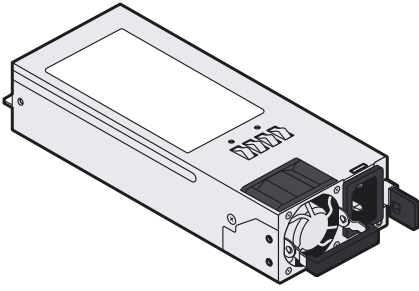


# 2



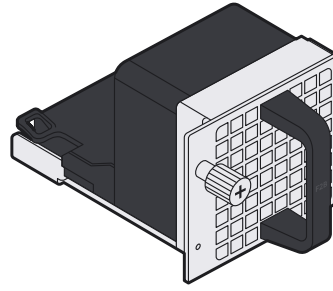
**Hot-Swappable Power Module**

[Buy >](#)



**Hot-Swappable Fan Module  
(4020 - Front to Back Airflow)**

[Buy >](#)



If you need further assistance, visit our [Help Center](#) or contact [Ubiquiti Support](#).

©2024 Ubiquiti Inc. All rights reserved. Ubiquiti, the Ubiquiti U logo and UniFi are trademarks or registered trademarks of Ubiquiti Inc. in the United States and in other countries. Apple and the Apple logo are trademarks of Apple Inc., registered in the U.S. and other countries. App Store is a service mark of Apple Inc., registered in the U.S. and other countries. Android, Google, Google Play, and the Google Play logo are trademarks of Google LLC.

