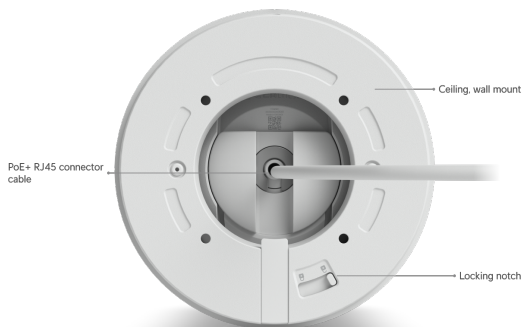
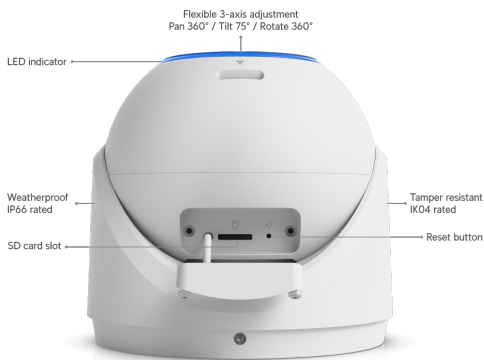




G6 Pro Turret

UVC-G6-Pro-Turret

All-weather tamper-resistant 4K PoE+ camera with a Multi-TOPS AI engine, 2.36x optical zoom, and a large 1/1.2" CMOS sensor for exceptional low-light clarity and long-range IR night vision.



Overview

Dimensions	ø117.2 × 116.5 mm (ø4.61 × 4.59")
IR Night Vision	40 m (131 ft)
Zoom Mode	2.36x Optical
Face Recognition	✓
License Plate Recognition	✓
Smart Detections (People, Vehicles, Animals)	✓
Resolution	4K
Networking Interface	GbE RJ45 port
Field of View	Wide: H: 113.8°, V: 61.9°, D: 134° Tele: H: 45.5°, V: 25.8°, D: 52°
Audio	Two-way audio
Weatherproofing	IP66
Tamper Resistance	IK04
Mounting	Ceiling, Wall mount (Included) Arm, Pendant mount, Junction box (Optional)

Performance

Networking Interface	GbE RJ45 port
-----------------------------	---------------

Video

Image Settings	Color, brightness, sharpness, contrast, white balance, exposure control, 2DNR, 3DNR, NR by motion, masking, text overlay, HDR
Max. Frame Rate	30 FPS
Resolution	8MP 3840 × 2160 (16:9)

Optics

Sensor	1/1.2" 8MP
Lens	F 5.85-13.8 mm; f/1.5-f/2.9
Night Mode	Built-in adaptive IR LED illumination and IR cut filter

Hardware

Max. Power Consumption	15W
Supported Voltage Range	42.5-57V DC
Power Method	PoE+
Processor	Quad core Arm® Cortex®-A53 based chip
Weight	1.2 kg (2.6 lb)
Enclosure Material	Aluminum alloy, polycarbonate
Expansion Slot	MicroSD card
Button	(1) Factory reset

Cable

Cable Connector Type	RJ45
Cable Diameter	4.5 mm (0.2")
Cable Length	30 cm (1 ft)
Jacket Enclosure Dimensions	ø20 x 70.55 mm (ø0.8 x 2.8")
Jacket Enclosure Material	Thermoplastic elastomer, polycarbonate, silicone rubber
Ambient Operating Temperature	-30 to 50° C (-22 to 122° F)
Ambient Operating Humidity	0 to 90% noncondensing
NDAA Compliant	✓
Certifications	CE, FCC, IC