

Cat6 UTP Indoor Ethernet Cable

RoHS COMPLIANT

Overview

Bandwidth: 250MHz
OD: 5.8mm
Conductor: 24AWG
Approvals: RoHS
Connector: 3U"gold plated RJ45 connector

Physical Characteristics

- Cable Type – CAT6 UTP
- Connector Type(s) – RJ45
- Wiring Scheme – T568B
- Temperature Rating
 - Installation: 0°C~50°C
 - Operation: -20°C~60°C
- Voltage Rating – 30V (can support 56V)

Conductor (Qty. 4 twisted pair)

- Conductor Type – 24AWG(7/0.195±0.008mm), Stranded BC
- Insulation – HDPE
- Diameter – 1.00±0.05mm
- Pair Identification:
 - Pair1=Orange, Orange-White
 - Pair2=Blue, Blue-White
 - Pair3=Green, Green-White
 - Pair4=Brown, Brown-White

Connector Type (Qty. 2)

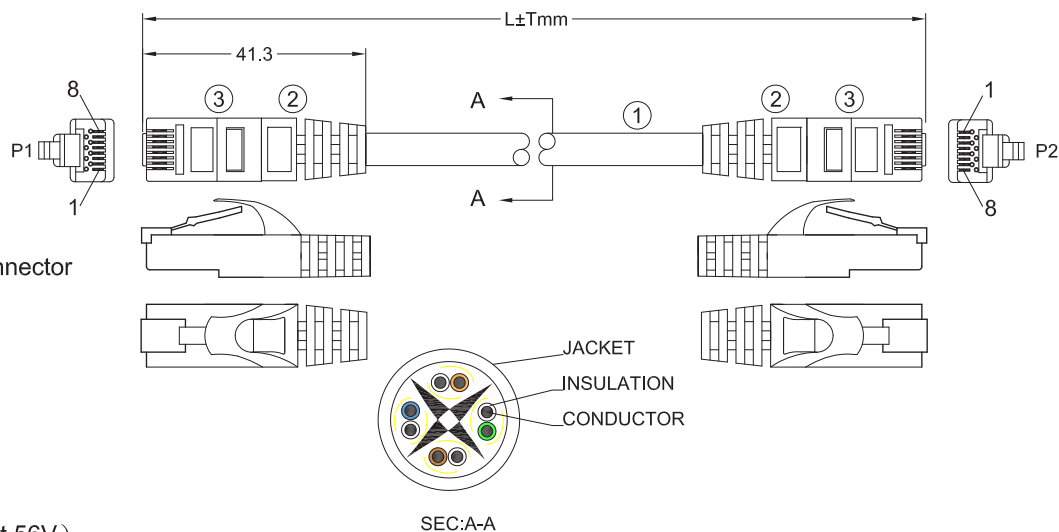
- Connector Type – 8P8C (RJ45)
- Gender – Male
- Connector Material – PC
- Contact Material – Copper Alloy, 3U"Gold Plating
- Hood Material – PVC MOLDED BOOT

Overall Cable

- Jacket – PVC
- Minimum Average Thickness – 0.60mm
- Outer Diameter – 5.8 ± 0.20mm

Electrical Characteristics

- Conductor DC Resistance – 9.52Ω/100m (maximum)
- Impedance – 100Ω
- Capacitance – 5600pf/100m
- Propagation Delay – 545ns/100m (maximum)
- Delay Skew – 45ns/100m (maximum)
- Pass Fluke DSX 8000 Channel Test
- Meet 802.3AF POE



COLOUR	LENGTH(M)	TOLERANCE
	0.3	±15mm
	0.5	±10mm
	0.75	±10mm
	1	±20mm
	1.5	±20mm
	2	±30mm
	3	±30mm
	5	±30mm
	7.5	±60mm
	10	±80mm
	15	±80mm
	20	±80mm
	25	±80mm
	30	±80mm

P1	P2 T568B
1	1 WHITE/ORANGE
2	2 ORANGE
3	3 WHITE/GREEN
4	4 BLUE
5	5 WHITE/BLUE
6	6 GREEN
7	7 WHITE/BROWN
8	8 BROWN

ITEM NO:	UTP CAT.6 Patch Cable 24AWG			DRAWER DATE	FW 20211206
TITLE				CHECKED DATE	ACE 20211206
CUSTOMER				APPROVED DATE	
MATERIAL		SCALE			
REV.	A	UNIT	MM		
DRAWING NO:	60U0P5307175HB 114---11206150				
ACAD FILE	E:\				