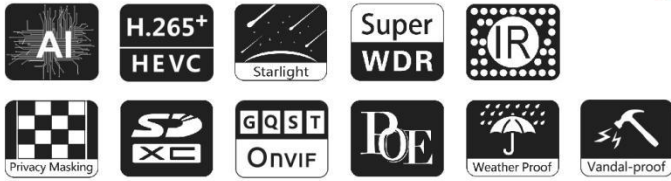


AI 30X/36X Speed Dome Network Camera



IP66

IK10



DATASHEET

KEY FEATURES

- ▶ Smart Stream (Bandwidth, storage and bit rate are saved with Smart Stream On, eg, H.265+ saves 70%~80% bandwidth that of H.264.)
- ▶ Smart IR II (Combining the High Beam and Low Beam to adjust IR intensity to fit different lighting conditions.)
- ▶ 140dB Super WDR (Excellent performance even when the ratio of the luminosity of brightest and darkest is up to 140dB.)
- ▶ Smart PTZ Motion Detection (Pan and tilt to the position of motion detected area automatically and zoom in synchronously.)
- ▶ IR Distance up to 300m (Enabling 300 meters distinct images at night with IR LEDs.)
- ▶ 255 Preset Positions (The user can easily control the lens position via mouse to monitor interested area and set up to 255 preset positions for patrolling.)
- ▶ Keyboard Control (Shortcut keys for PTZ control via Milesight Keyboard.)

AI Video Analytics

Powered by advanced AI engine, Milesight new generation video analytics boasts with higher accuracy via a pre-trained deep learning model and continuously training to algorithms automatically. Milesight cameras can intelligently filter objects to focus on human and vehicle detection, together with multiple event rules including face detection, people counting, loitering, etc. to meet diverse scenarios for building a smarter and safer world.



Intelligent PTZ Auto Tracking

With AI detection, Milesight Network Camera could leverage motor mechanism to perform Pan/Tilt/Zoom to track the moving human or vehicle automatically and adjust zoom status flexibly according to the target distance with the powerful optical zoom capability.



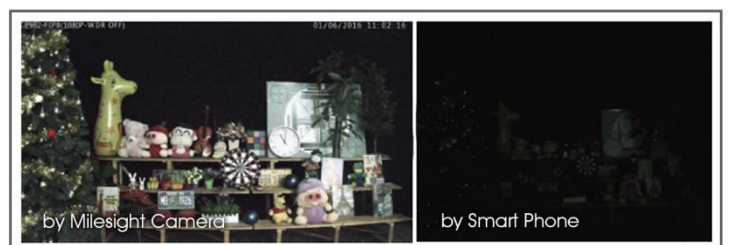
Up to 36X Optical Zoom

Embedded with optical zoom lens, the cameras' resolution is up to 36X optical zoom which allows the user to zoom up to distant objects while still maintaining the clarity and delivering high quality video over the entire zoom range.



0.001Lux Ultra Low-light

The starlight camera is able to deliver high detailed color images even in low light environment reaching 0.001Lux(Color) or 0Lux(B/W), and near infrared light environments without any supplementary lighting.



AI 30X/36X Speed Dome Network Camera



	Model	MS-C2841-X36RPC (2MP)	MS-C2941-X30RPC (2MP)	MS-C5341-X30PC (5MP)
Camera	Image Sensor	1/2" Progressive Scan CMOS	1/2.8" Progressive Scan CMOS	
	Min. Illumination	Color: 0.001Lux@F1.2	Color: 0.002Lux@F1.2	Color: 0.005Lux@F1.2
		Color: 0.002Lux@F1.55	Color: 0.005Lux@F1.5	Color: 0.008Lux@F1.5
		B/W: 0Lux with IR on	B/W: 0Lux with IR on	B/W: 0Lux with IR on
	WDR	140dB Super WDR		120dB Super WDR
	Shutter Time	1/100000s~1s		
	Digital Zoom	16X		
Day/Night Mode	Day/Night/Auto/Customize/Schedule			
S/N	>55dB			
Lens	Focal Length	5.7~205.2mm, 36X Optical Zoom	4.7~141mm, 30X Optical Zoom	4.7~141mm, 30X Optical Zoom
	Zoom Speed	Approx 7s (Wide-Tele)	Approx 6s (Wide-Tele)	Approx 6s (Wide-Tele)
	Field of View	H63°~H3°/D69°~D3°/V38°~V1°	H62°~H3°/D70°~D3°/V37°~V1°	H58°~H3°/D71°~D3°/V44°~V2°
	Focus Control	Auto/Semi-Auto/Manual		
	Minimum Working Distance	1500~1500mm(Wide-Tele)	100~1500mm (Wide-Tele)	100~1500mm (Wide-Tele)
	Aperture	F1.55~F4.8	F1.5~F4.0	F1.5~F4.0
	Iris Control	Auto		
PTZ	Pan Range/Pan Speed	360°endless / Pan Manual Speed: 0.1°~400°/s, Pan Preset Speed: 400°/s		
	Tilt Range/Tilt Speed	0°~90°(Auto Flip) / Tilt Manual Speed: 0.1°~320°/s, Tilt Preset Speed: 320°/s		
	Proportional Zoom	Support		
	Preset Quantity	255		
	Patrol	8 Patrols, up to 48 presets each patrol		
	Pattern	4 Patterns		
	Auto Tracking	Support		
	Power Off Memory	Support		
Other Function	Auto Scan, Auto Home, Preset Freezing, 3D Positioning, PTZ Limits, Initial Position			
IR	IR Distance	Up to 300m	Up to 200m	
	IR Angle	Auto/Manual		
Video	Max. Image Resolution	1920x1080		2592x1944
	Primary Stream	60fps@(1920x1080, 1280x960, 1280x720, 704x576)		30fps@(2592x1944), 45fps@(2048x1536)
				60fps@(1920x1080, 1280x960, 1280x720, 704x576)
	Secondary Stream	60fps@(704x576, 640x480, 640x360, 352x288, 320x240, 320x192, 320x180)		
	Tertiary Stream	30fps@(1920x1080, 1280x720, 704x576, 640x480, 640x360, 320x240, 320x192, 320x180)		
	Video Compression	H.265*/H.265(HEVC)/H.264*/H.264/MJPEG		
	Video Bit Rate	16Kbps~16Mbps(CBR/VBR Adjustable)		
	Privacy Masking	Up to 8 areas		
ROI	Up to 8 areas			
Image Setting	Brightness/Contrast/Saturation/Sharpness			

AI 30X/36X Speed Dome Network Camera

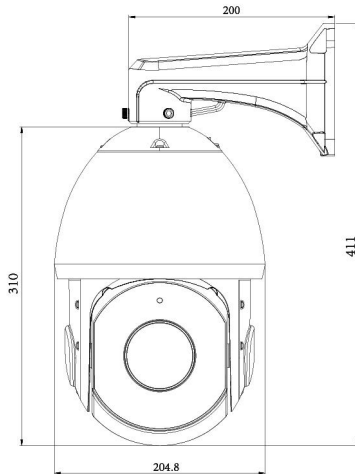
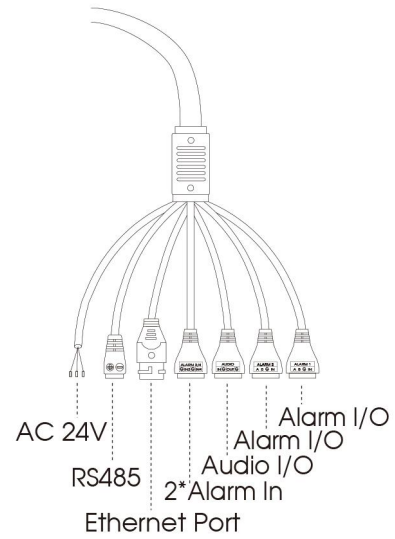
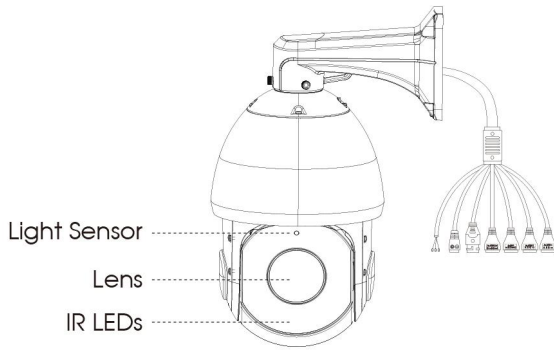


Interface	Ethernet	1*RJ45 10M/100M Ethernet Port		
	Audio I/O	1/1		
	Alarm I/O	4/2		
	RS485	Support		
Network	Network Storage	NAS(Support NFS, SMB/CIFS), ANR		
	Protocol	IPv4/IPv6, ARP, TCP, UDP, RTCP, RTP, RTSP, RTMP, HTTP, HTTPS, DNS, DDNS, DHCP, FTP, NTP, SMTP, SNMP, UPnP, Bonjour, SIP, PPPoE, VLAN, 802.1x, QoS, IGMP, ICMP, SSL		
Audio	Audio Compression	G.711/AAC/G.722/G.726		
	Audio Sampling Rate	8/16/32/44.1/48KHz		
	Audio Bit Rate	16~256kbps		
	Two-way Audio	Support		
System	Storage	Support microSD/SDHC/SDXC Card Local Storage, up to 256G		
	Advanced Function	BLC, HLC, 2D DNR, 3D DNR, Defog, AWB, EIS, IP Address Filtering, AGC, Anti-flicker, Corridor Mode, Deblur, Watermark		
	SIP/VoIP Support	Yes, Voice & Video-over-IP		
	Event Trigger	Motion Detection, Network Disconnection, External Input, Audio Alarm, etc.		
	Event Action	FTP Upload, SMTP Upload, SD Card Record, External Output, SIP Phone, PTZ Motion, HTTP Notification, etc.		
	Video Analysis	Region Entrance, Region Exiting, Advanced Motion Detection, Tamper Detection, Line Crossing, Loitering, Human Detection, People Counting, Object Left, Object Removed		
	System Compatibility	ONVIF Profile G & Q & S & T, API		
General	Working Condition	Temperature: -40°C~60°C / Humidity: 0~90%(Non-condensing)		
	Power Supply	PoE (802.3at) / AC 24V/3A ± 10%		
	Power Consumption	13.6W MAX	12W MAX	12.3W MAX
		23.9W MAX (With IR on)	25W MAX (With IR on)	25.4W MAX (With IR on)
		Up to IP66-rated for Weather-resistant Performance / Vandal-proof IK10-rated Metal Housing(Optional)		
	Weather Proof/Housing			
	Heater	Support		
	Surge Protection	6KV		
Dimensions/Weight	Φ205mmX308mm/4Kg			
Warranty	2 Years / 3 Years (Optional)			

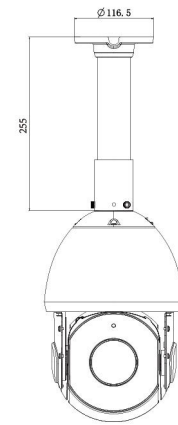
AI 30X/36X Speed Dome Network Camera



Structure Diagrams



Wall Mount



Ceiling Mount

Units: mm

Accessories Support

A01 Pole Mount

Weight: 720g
Dimensions: 170*51.5*152.6mm



A03 External Corner Bracket

Weight: 900g
Dimensions: 170*152.6*76.3mm



A41 Wall Mount

Weight: 400g
Dimensions: 200*129*100mm



A42 Pendant Mount

Weight: 650g
Dimensions: 116.5*225mm



A42-L Extension Lever

Weight: 325g
Dimension: 57*250mm



A43 Junction Box

Weight: 1000g
Dimensions: 195*164*80mm



Milesight Technology Co.,Ltd. | www.milesight.com

Contact Us: sales@milesight.com | support@milesight.com

Add: 220 NE 51st Street, Oakland Park, Florida 33334, USA
Tel: +1-800-561-0485

Add: 925, Anyang SK V1 Center, LS-ro 116beon-gil, Dongan-gu, Anyang-si, Korea
Tel: +82-31-990-7732

Add: No.23 Wanghai Road, 2nd Software Park, Xiamea, China
Tel: +86-592-5922772

