
Antenna Product Specifications

SLG0605SS

0.6m High Performance Low Profile Antenna, Dual-polarized,
5.25~5.85 GHz



CHARACTERISTIC

General Specifications

Antenna Type	High Performance Low Profile Antenna, Dual-Polarized Antenna
Diameter, nominal	0.6m / 2ft
Polarization	Dual
Reflector Construction	One-piece reflector
Antenna Color	RAL7047
Antenna connector	N-female
Radome Material Description	ABS

Electrical Specifications

Frequency	5.25~5.85 GHz
Gain, Top	28.4 dBi
Gain, Mid	27.9 dBi
Gain, Low	27.4 dBi
Front-to-Back Ratio	48 dB
Cross Polar Discrimination (XPD)	30 dB
Beamwidth	6.2°
VSWR	1.5
Return Loss	14 dB
Regulatory Compliance	ETSI EN 302 217 Range 1 Class 2

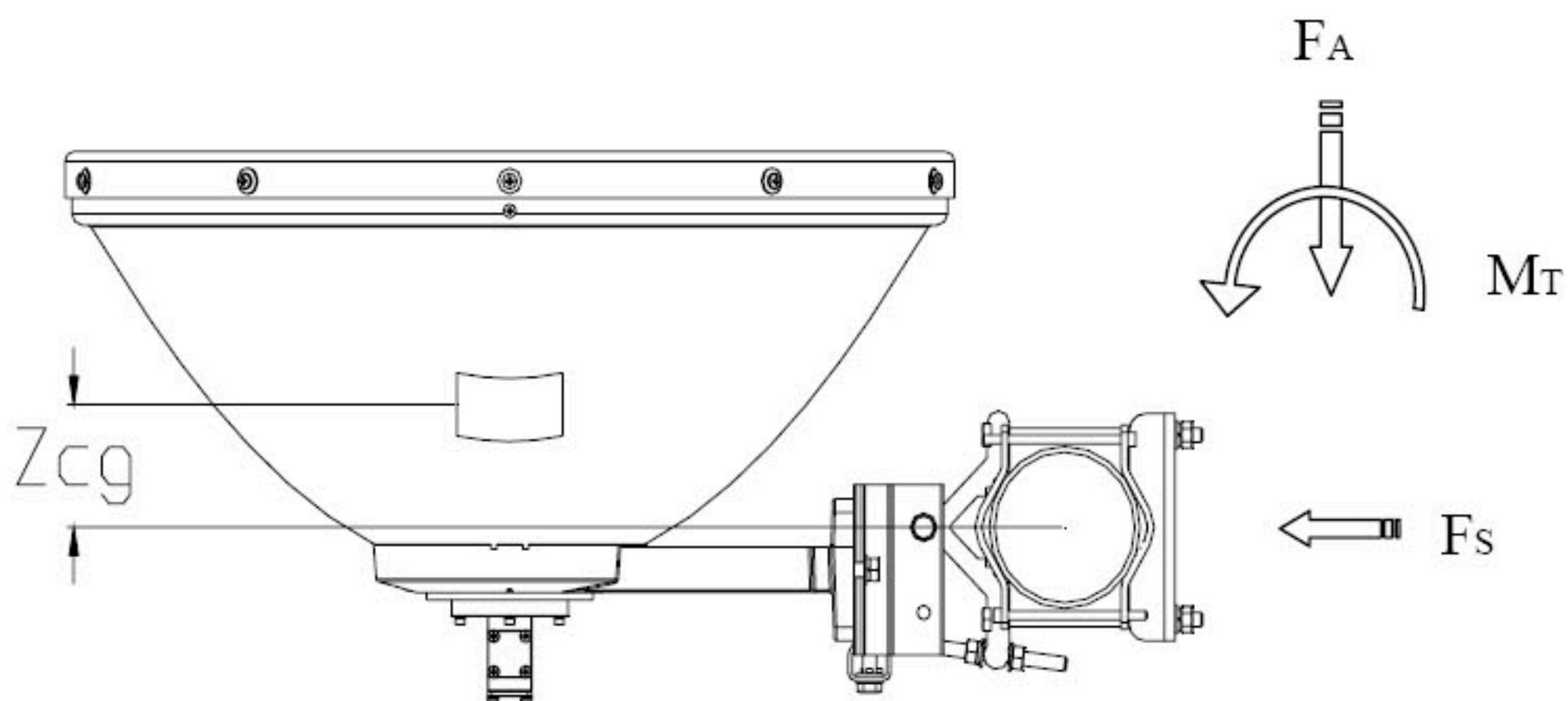
Mechanical Specification

Wind Velocity Operational	162km/h
Wind Velocity Survival Rating	250km/h
Fine Azimuth Adjustment	Coarse 360° Fine $\pm 15^\circ$
Fine Elevation Adjustment	Coarse $\pm 25^\circ$ Fine $\pm 15^\circ$
Mounting Pipe Diameter	$\Phi 51 \div \Phi 114$ mm
Ice-load	25.4 mm
Operational Temperature	$-45 \div +75$ °C
Side Struts, Included	0
Net Weight	13.9kg

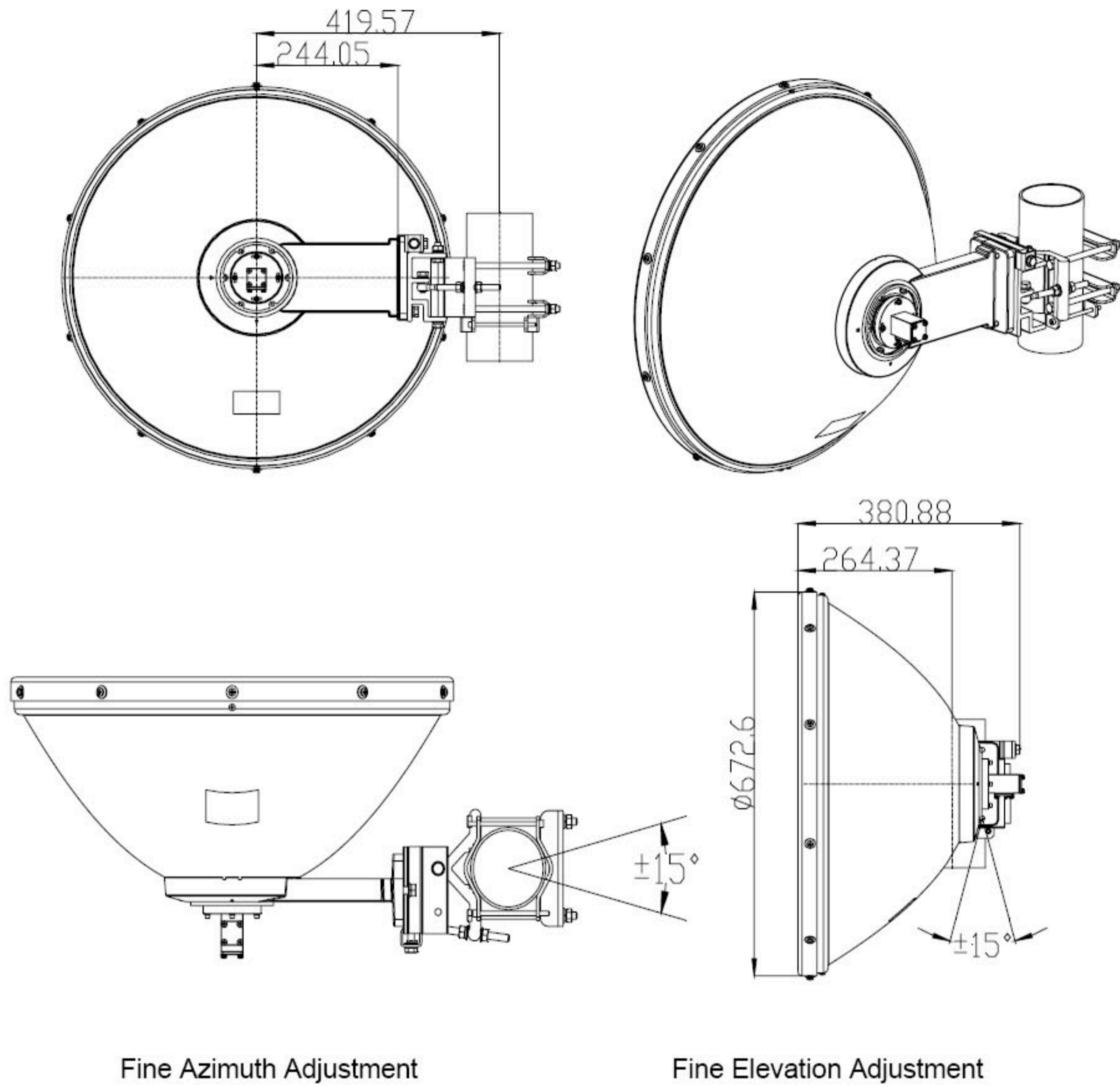
Wind Forces at Wind Velocity Survival Rating

Axial Force(F_A)	1055 N
Side Force(F_S)	679 N
Twisting Moment(M_T)	443 N•m
Zcg without Ice	67mm
Zcg with 1"(25.4mm) Ice	99mm
Weight with 1"(25.4mm) Ice	18.4 kg

Wind Forces at Wind Velocity Survival Rating Image



Antenna Dimensions and Mounting Information



Fine Azimuth Adjustment

Fine Elevation Adjustment

Mechanical Torque

Diameter of screw	4 mm	10 mm
Torque Value	0.9 N•m	22 N•m