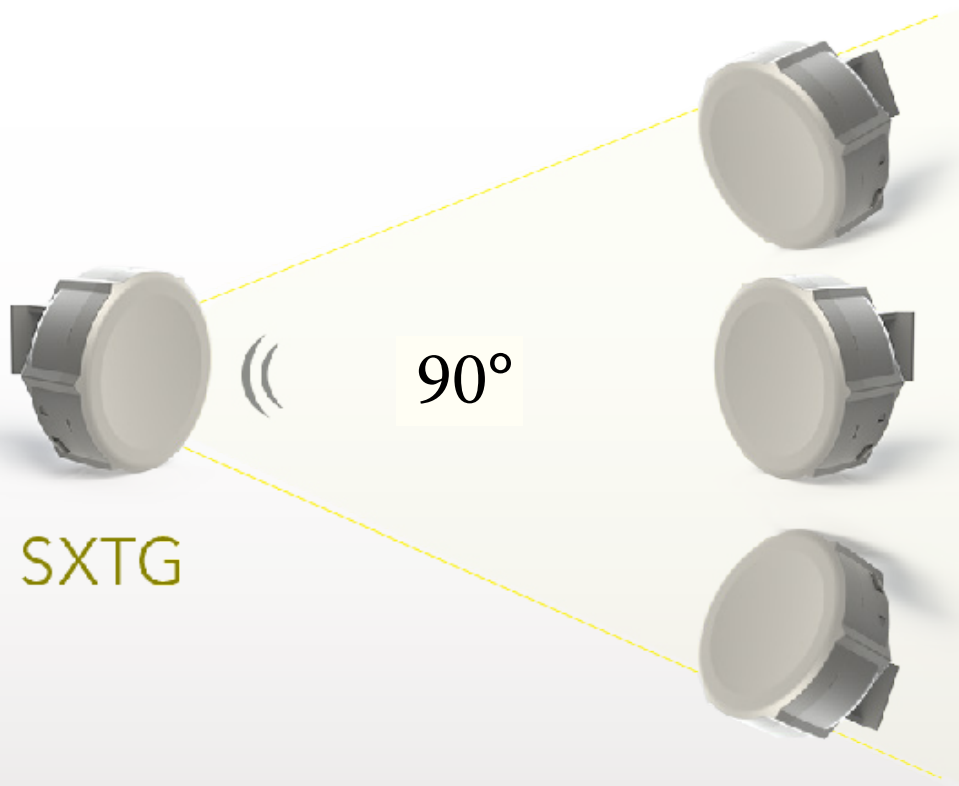


SXTG-5HPnD-SAr2

SXTG-5HPnD-SAr2 is a low cost, high speed 5GHz outdoor wireless sector access point. It has a ninety degree antenna to provide a wider coverage than our previous SXT units.

Complete with a ready to mount enclosure and built-in 14dBi antenna, the package contains everything you need to set it up in a matter of minutes.



Model	SXTG-5HPnD-SAr2
CPU	AR9344 600MHz CPU
Memory	64MB DDR SDRAM onboard memory
Ethernet	10/100/1000 (Gigabit) Ethernet port
Wireless	Onboard dual chain 5GHz 802.11a/n .10kV ESD protection on RF port
Extras	Reset switch, beeper, USB 2.0 port, voltage and temperature monitors
LEDs	Power LED, Ethernet LED, 5 wireless signal LED
Power	Power over Ethernet: 8-30V DC. Packaged with 24V DC 0.8A PSU and passive PoE injector
Dimensions	140x140x56mm. Weight without packaging, adapters and cables: 265g
Power consumption	Up to 7W
Operating Temp	-30C .. +80C
License	Level4 license (CPE, PiP or AP as sector)
Package contains	SXT wireless device with integrated antenna, pole mounting bracket, mounting ring, PoE injector, power adapter, quick setup guide
Certifications	FCC, CE, ROHS

	For two chains
TX/RX at MCS0	30dBm / -95dBm
TX/RX at MCS7	26dBm / -73dBm
TX/RX at 6Mbit	30dBm / -96dBm
TX/RX at 54Mbit	27dBm / -80dBm
Antenna	90 deg, -35dB port to port isolation, 14dBi gain