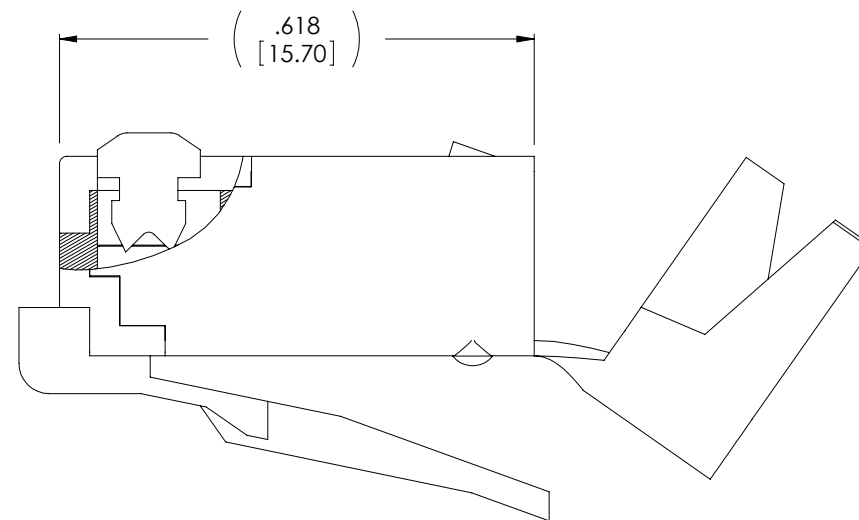
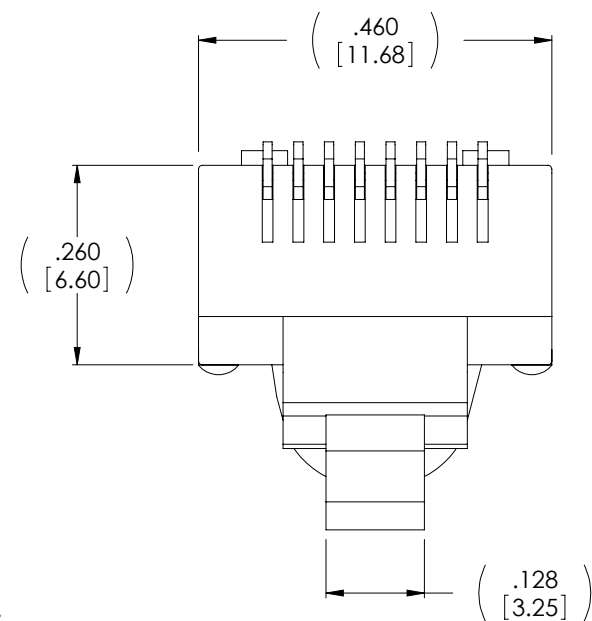
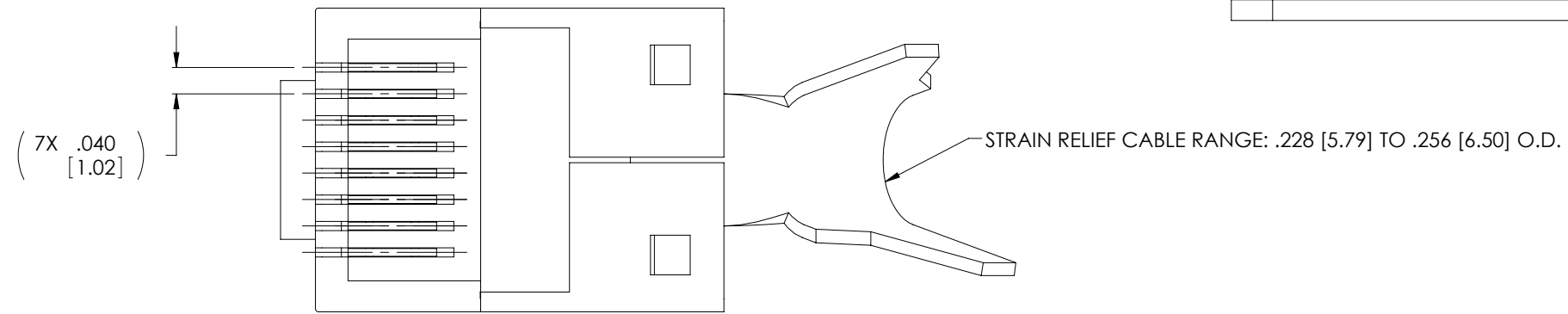


THE INFORMATION CONTAINED IN THIS DRAWING IS THE SOLE PROPERTY OF L-COM, INC. ANY REPRODUCTIONS IN PART OR WHOLE WITHOUT THE WRITTEN PERMISSION OF L-COM, INC. IS PROHIBITED.

REVISIONS			
REV	DESCRIPTION	DATE	CHANGED BY
H	ECN 4491: CN RELEASE	1/12/10	D. CASTRO
H	ECN99999: ADDED RoHS COMPLIANT STAMP	03/18/10	DFP



**NOTES:**

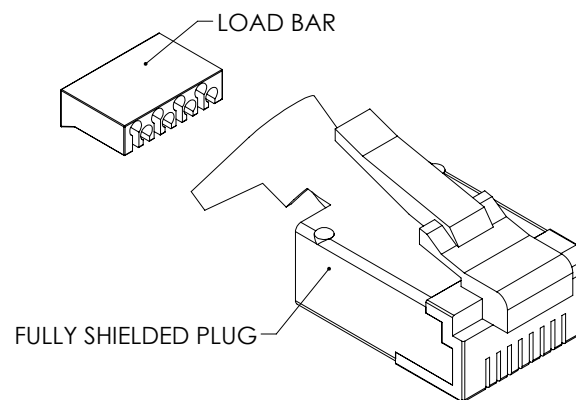
**MATERIAL:**  
 HOUSING, LOAD BAR: POLYCARBONATE, CLEAR, UL94V-0  
 CONTACTS: PHOSPHOR BRONZE  
 SHIELD/STRAIN RELIEF: BRASS

**FINISH:**  
 CONTACTS: 50 MICROINCHES [1.27 MICRON] MIN. GOLD IN CONTACT AREA  
 OVER 100 MICROINCHES [2.54 MICRON] MIN. NICKEL PLATE OVERALL.  
 SHIELD/STRAIN RELIEF: 100 MICROINCHES [2.54 MICRON] NICKEL

**ELECTRICAL:**  
 VOLTAGE: 125 VAC. MAX.  
 CURRENT: 1.5 AMPS MAX.

**MECHANICAL:**  
 CONTACT STYLE: 2 PRONG  
 COMPATIBLE WITH STRANDED AND SOLID CONDUCTORS  
 CONDUCTOR RANGE: 24 - 26 AWG  
 MAX. CONDUCTOR INSULATION DIAMETER: .042 [1.07]  
 PARTS SHALL CONFORM TO TIA-1096

**MISCELLANEOUS:**  
 OPERATING TEMPERATURE RANGE: -40°C TO +125°C  
 TERMINATED CONTACT HEIGHT: .237±.005 [6.02±.13]  
 FOR TERMINATION OR TOOLING INFORMATION PLEASE VISIT  
 THE APPROPRIATE PRODUCT PAGE AT WWW.L-COM.COM  
 PACKAGE PER SPEC. PS-0032



**RoHS Compliant** ✓

UNLESS OTHERWISE SPECIFIED,  
 DIMENSIONS ARE IN INCHES [mm]  
 OVERALL CABLE LENGTH TOLERANCE:  
 ≤12 [305] = +1 [25] / -0  
 >12 [305] ≤60 [1524] = +2[51] / -0  
 >60 [1524] ≤120 [3048] = +4 [102] / -0  
 >120 [3048] ≤300 [7620] = +6 [152] / -0  
 >300 [7620] = +5% / -0%  
 ALL OTHER DIMENSIONAL TOLERANCES:  
 .X = ±.2  
 .XX = ±.02  
 .XXX = ±.005

APPROVALS	DATE
D. PARHAM	2/3/2004
T. CLARK	2/3/2004
C. McCORMICK	2/3/2004

**L-com** Global Connectivity  
 45 BEECHWOOD DRIVE  
 NORTH ANDOVER, MA  
 01845

CATEGORY		MODULAR	
PRODUCT DESCRIPTION			
PLUG,RJ45 8X8 SHLD W/SR			
SIZE	FSCM NO.	DWG. NO.	REV.
<b>B</b>	<b>43321</b>	TDS8PC5	<b>H</b>
SCALE: 4:1		CAD FILE: TDS8PC5.SLDDRW	SHEET 1 OF 1

