



WAN Switch RJ45

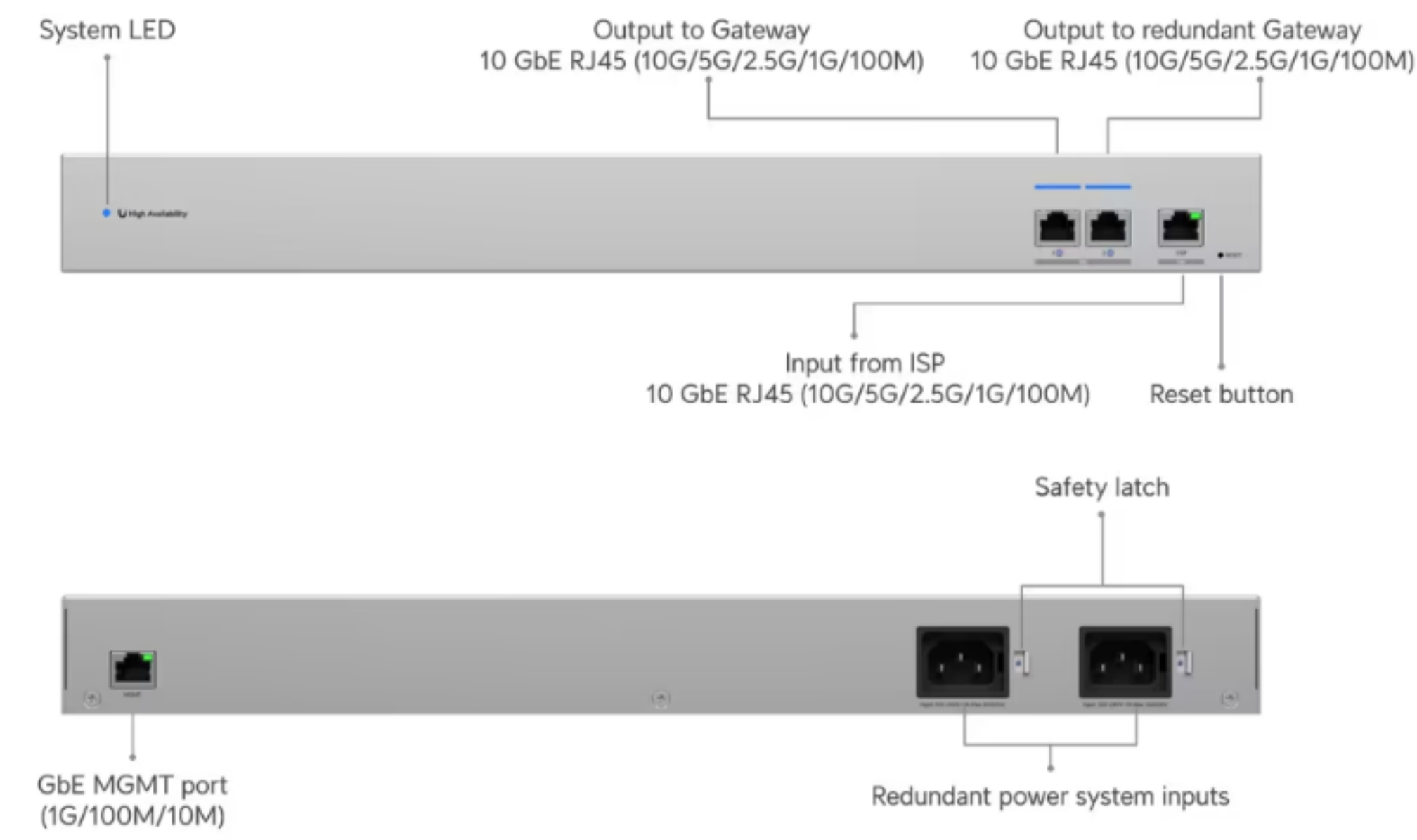
USW-WAN-RJ45

Datasheet

In The Box

Marketing Images

Installation Guide



Overview

Dimensions 442.4 x 120 x 43.7 mm (17.4 x 4.72 x 1.7")

Port Layout

- 1 GbE RJ45 (1G/100M/10M)
- 10 GbE RJ45 (10G/5G/2.5G/1G/100M)

Redundancy (2) AC inputs

Form Factor Rack mount (1U)

Performance

Switching Capacity 20 Gbps

Total Non-Blocking Throughput 10 Gbps

Forwarding Rate 15 Mpps

Hardware

Max. Power Consumption 18W

Power Method (2) Universal input, 100—240V AC, 50/60 Hz

Power Input Method AC input

Power Supply (2) AC/DC, internal, 36W

Supported Voltage Range 100—240V AC

Management Ethernet

Weight Without mounting brackets: 2.3 kg (5.1 lb)
With mounting brackets: 2.4 kg (5.3 lb)

Enclosure Material SGCC steel

Mount Material SGCC steel

ESD Protection Air: ± 16kV, contact: ± 10kV

Ambient Operating Temperature -5 to 40° C (23 to 104° F)

Ambient Operating Humidity 10 to 90% noncondensing

LEDs

- Ethernet ✓
- System ✓

Certifications CE, FCC, IC

NDAA Compliant ✓

Software

Application Requirements

- UniFi Network Version 9.1.120 and later