



2.4 GHz 5.5 dBi Reverse Polarity-TNC"Rubber Duck" Wireless LAN Antenna - Model: HG2405RD-RTP

Applications and Features

- Applications:**
- 2.4 GHz ISM Band
 - IEEE 802.11b and 802.11g Wireless LAN
 - Bluetooth®
 - WiFi
 - Wireless Video Systems
 - Multipoint and Mobile Applications

- Features:**
- Flexible "Rubber Duck" antenna
 - Tilt and swivel design
 - RP-TNC Connector
 - RoHS Compliant



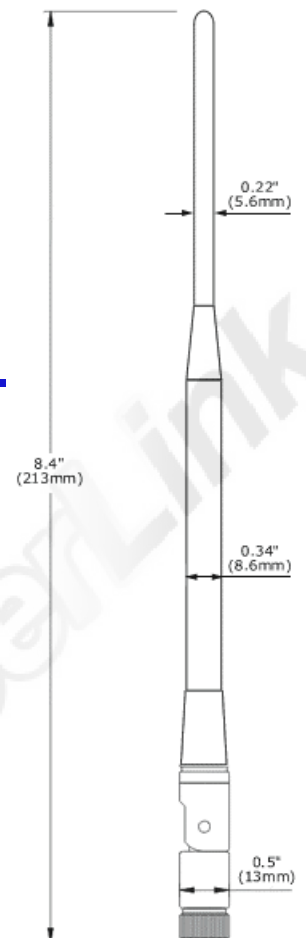
Description

This compact 2.4GHz omnidirectional "rubber-duck" WiFi antenna provides broad coverage and 5.5 dBi gain. It is a coaxial sleeve design with an omni-directional pattern. It is ideally suited for IEEE 802.11b and 802.11g wireless LANs, Bluetooth® and other WLAN applications.

Measuring 8.4" long, this flexible antenna features a tilt-and-swivel reverse-polarity TNC connector, allowing them to be used vertically, at a right angle, or any angle in-between. It is suitable as a replacement RF antenna for many access points and radios that are equipped with reverse-polarity TNC connectors including Cisco® AP, Linksys® WAP11, WRT54G, WAP54G and others.

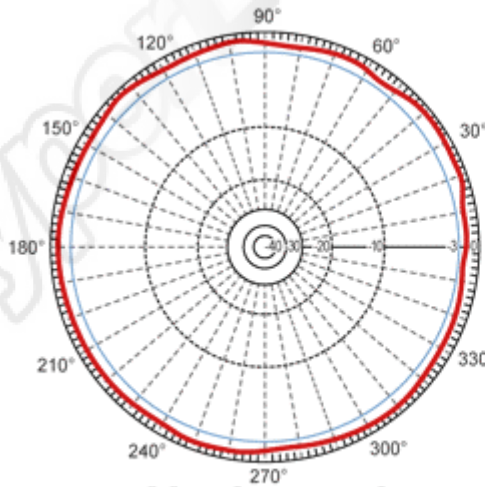
Specifications

Frequency	2400-2500 MHz
Gain	5.5 dBi
Impedance	50 Ohm
VSWR	< 2.0
Weight	0.88 oz. (25 g)
Length	8.4" (213 mm)
Diameter	0.5" (13 mm)
Finish	Matte Black
Connector	Reverse Polarity TNC Plug
Operating Temperature	-40° C to to 85° C (-40° F to 185° F)
Flame Rating	UL 94HB
Polarization	Vertical
RoHS Compliant	Yes

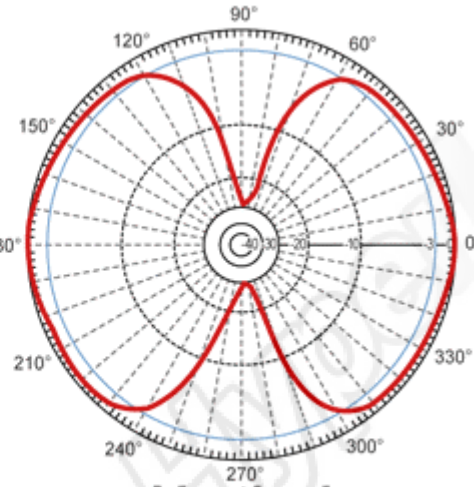




Antenna Gain Pattern



Horizontal



Vertical

Guaranteed Quality

This product is backed by Hyperlink's Limited Warranty