



# 4G Solar-powered Security Camera Kit (Lite Version)

Applicable Solution:  
S100B96 (or S100B55)  
+ SP111 Camera+ SA02+ A02



AI



4G



Solar-Powered



1TB Storage



Battery pack is available

## KEY FEATURES

### 17 Days Battery Life Guaranteed

Even on rainy days, it can achieve up to 17 days of extended standby time, providing long-term uninterrupted reliability to safeguard every moment that matters.

### Intelligent Energy-saving Operation Mode

Efficient and energy-saving, it focuses on the events you care about most. It also allows for scheduled sleep to conserve energy. Various modes ensure the stable and secure operation of the Kit system.


**Advanced AI algorithms** enable precise detection and alerting of abnormal situations.

Various intelligent analyses can be applied in multiple scenarios for hazard prevention, making it possible to monitor challenging areas such as mountainous regions and construction sites with its versatile adaptability. **(Intrusion Detection, Line Crossing, Object Left, Advanced Motion Detection, Tamper Detection)**

**Rugged and sturdy waterproof design** with an **IP67** rating.

# 4G Solar-powered Security Camera Kit (Lite Version)



Name		S100 Solar Power System	
Model		S100B55	S100B96
Appearance			
Solar Panel Modules in Kit		Default: 1 units; Optional: 2 units	
Charge	PV Power	100W	
	PV Input Voltage	18V	
	Material	Monocrystalline silicon	
Energy Storage	Battery Type	NMC	
	Battery Capacity	50AH	90AH
	Total Energy	555Wh	962Wh
	Battery Life	9 days (without data transmission), 6 days (with data transmission)	17 days (without data transmission), 11 days (with data transmission)
	Deep Cycles	> 1000	
	Nominal Voltage	11.1V	
Discharge	Output Voltage	9~12.6V DC	
	Maximum Output Current	10A	
	Discharge Depth	95%DOD	
Function	Battery Heating	Charging current > 2A and lower than -5°C turns on	
	Protection Type	Overcurrent/ Overvoltage/ Short Circuit/ Undervoltage/ Temperature	
	Charging Temperature Range	0°C~60°C	
	Discharging Temperature Range	-20°C~65°C	
	Status Indicator	LED (charging status, battery status, output status)	
Interface	Communication	RS485	
	Output Method	M12 5-pin Connector	
	Output Line Length	1.5m	

# 4G Solar-powered Security Camera Kit (Lite Version)

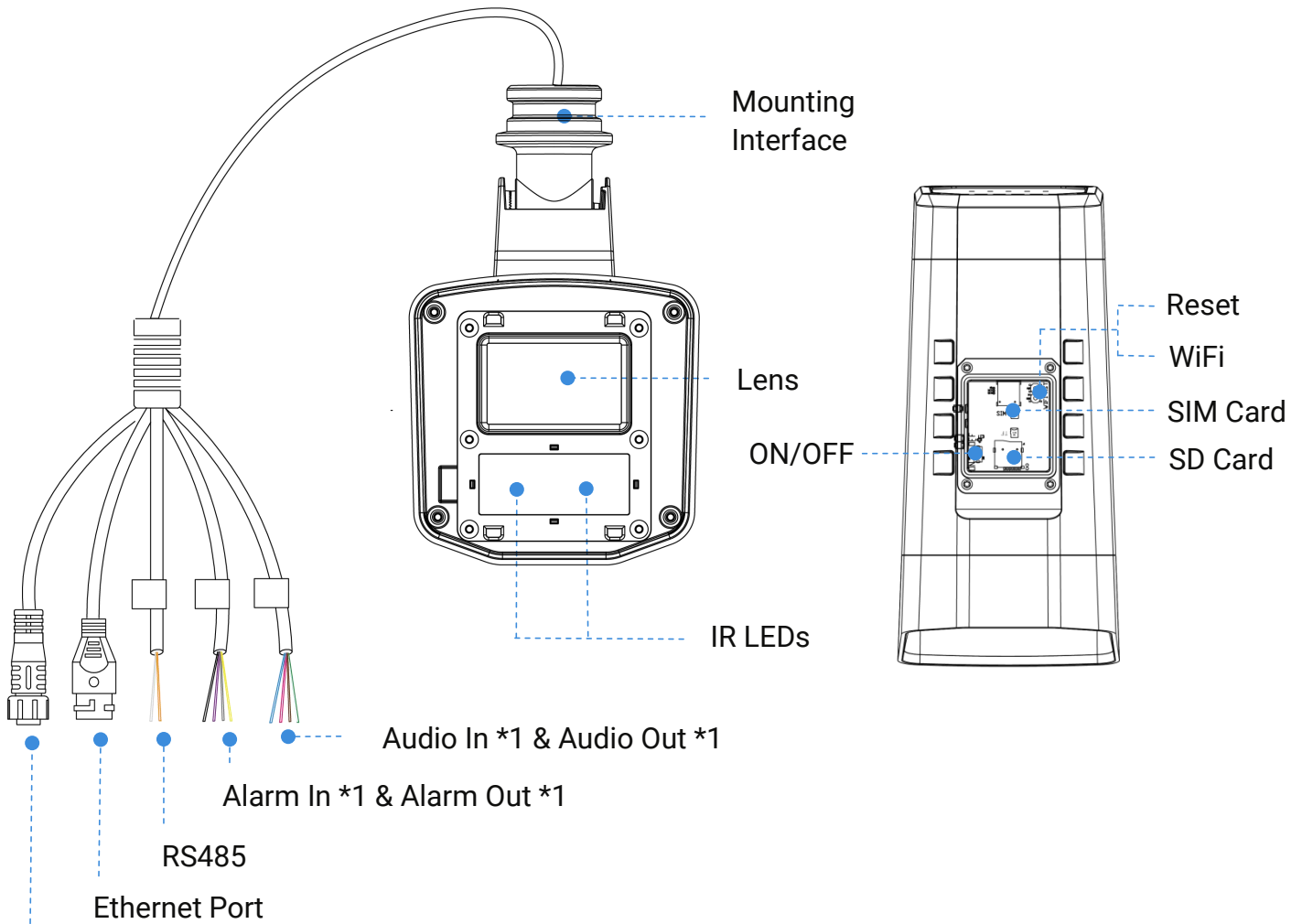


<b>Interface</b>	Supported Cables	Dual Device Power Splitter Cable Bridge Data & Power Cable (RS485 & DC Output) Main Power Cable	
<b>General Parameters</b>	Waterproof	IP66	
	Humidity Range	4-100% (no condensation)	
	Cooling Method	Natural Heat Dissipation	
	Hazardous Material Classification	9	
	Shell Material	Galvanized Steel + Plastic	
	Fixed Way	Hanging Rod / Wall Mounting	
	Product Dimensions	765*630*69 mm 825*690*105 mm (with Package)	765*630*112.5 mm 825*690*140 mm (with Package)
	Weight	13kg	16kg
	Warranty	2 years	
	Certificate	UN38.3/MSDS/CE/ROHS	

# 4G Solar-powered Security Camera Kit (Lite Version)

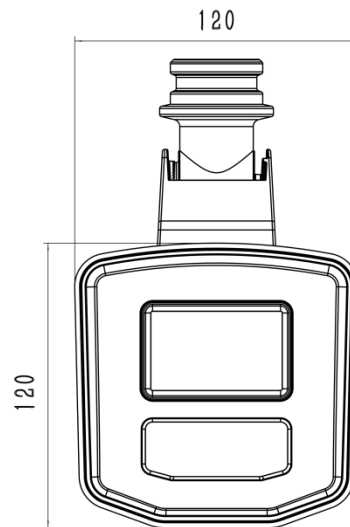
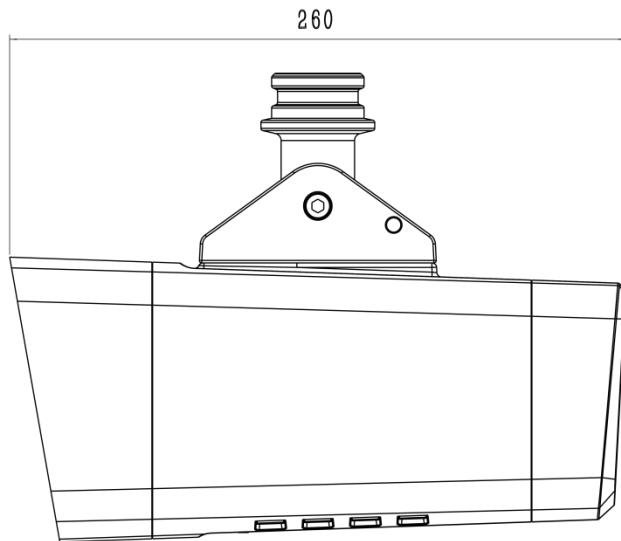


## Structure Diagrams



## Power Supply

(used for power supply and RS485 battery information communication with the battery system)



Units: mm

# 4G Solar-powered Security Camera Kit (Lite Version)



## S100B55

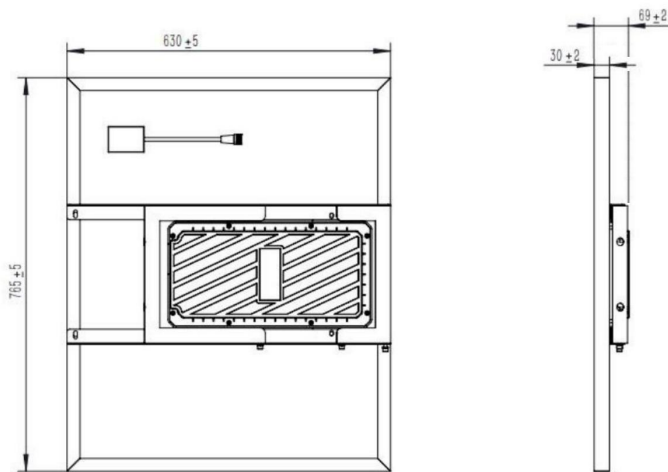
Weight: 13kg

Dimensions:

765\*630\*69 mm

825\*690\*105 mm

(with Package)



## S100B96

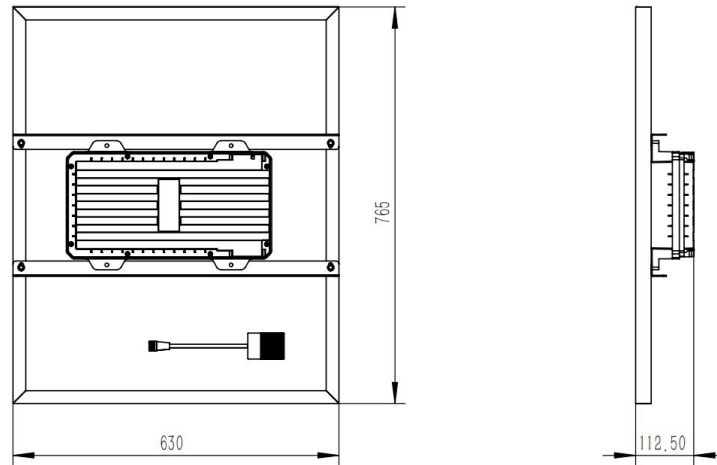
Weight: 16kg

Dimensions:

765\*630\*112.5 mm

825\*690\*140 mm

(with Package)



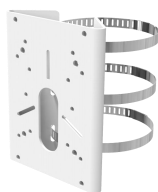
## Accessories Support

### A02 V2 Pole Mount

Weight: 1kg

Dimensions:

180\*136\*46 mm



+

### SA02 Wall Mount

Weight: 2.2kg

Dimensions:

150\*260\*400 mm



### S100 Expansion Module

Model: SA100



### Solar Power System Bracket

Model: BJ-N

Weight: 3.5kg

Dimensions: 220\*217.5\*30 mm



**Milesight** | [www.milesight.com](http://www.milesight.com)

Contact Us: [sales@milesight.com](mailto:sales@milesight.com) [support@milesight.com](mailto:support@milesight.com)

Add: Phase III, Xiamen 361024, Fujian, China

Building c09, Software Park

Tel: +86-592-5922772