

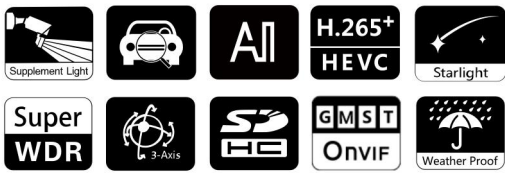
Entrance & Exit Supplement Light AI LPR Pro Bullet Plus Camera

Supplement Light

Motorized Lens



DATASHEET



KEY FEATURES

- ▶ Superior Image Quality (Starlight Sensor, Smart IR II Technology and high frame rate are supported for an excellent image quality.)
- ▶ Evidence Camera Linkage (Link with any regular cameras to capture the overview snapshots as evidence.)
- ▶ LPR Smart Search (Relevant videos can be found quickly by searching for only a portion of the target suspect vehicle's features, such as vehicle type & color, plate color, plate number, direction and etc.,)

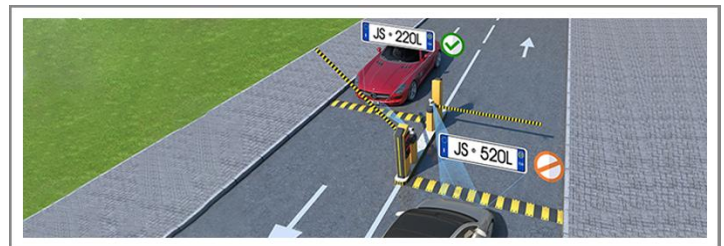
Intelligent AI-powered LPR Algorithm

Entrance & Exit AI LPR Camera can not only recognize vehicle plates in real time, but also identify more vehicle features, like vehicle type, color, etc., generating reliable traffic insights to improve safety and mobility.



Black and White List and No-plate Event

Entrance & Exit AI LPR Camera enable to achieve stand-alone solutions for license plate recognition as well as no-plate vehicle detection. Alarm is triggered as soon as the corresponding rule-compliant license plate is detected, enabling efficient and accurate access control at any gate.



Extensive Compatibility

Entrance & Exit Supplement Light AI LPR Camera support Wiegand Protocol, which allows the easy open integration with third-party VMS or platforms, realizing solutions such as traffic management, toll collection, and access control.



Integrated Supplement Light

Integrated with supplement light of IR LED Light or White LED Light, Entrance & Exit Supplement Light AI LPR Camera could turn on and off the supplement light, and change the luminance of the supplement lighting automatically, achieving a flexible way for the monitoring control.



Entrance & Exit Supplement Light AI LPR Pro Bullet Plus Camera

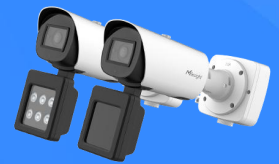


| | Model | MS-C2966-RFLWPE | MS-C2966-RFLWPE |
|---------------------------------------|---------------------------|---|----------------------|
| | | /W (2MP) | /R (2MP) |
| Camera | Image Sensor | 1/2.8" Progressive Scan CMOS | |
| | Min. Illumination | Color: 0.005Lux@F1.4 B/W: 0Lux with IR on | |
| | WDR | 140dB Super WDR | |
| | Shutter Time | 1/100000s~1s | |
| | Day/Night Mode | Day/Night/Auto/Customize/Schedule | |
| | S/N | >55dB | |
| Lens | Lens | Motorized 2.7~13.5mm@F1.4 | |
| | Field of View | H113°~H33°/D130°~D38°/V60°~V18° | |
| | Mount | Φ14 | |
| | Focus Control | Auto/Manual | |
| Entrance & Exit Management | Max. Vehicle Speed | 30km/h | |
| | Recognition Accuracy | >98% | |
| | Coverage | 2 lanes | |
| | Country/Region Supported | More than 80 countries and regions | |
| | ANPR Distance | Up to 20m | |
| | Attributes Identification | Plate Color, Vehicle Type, Vehicle Color, Vehicle Brand, No-plate Vehicle Capture, Vehicle Direction Detection | |
| | Smart Traffic Function | Evidence Camera Linkage | |
| | White/Black List | Up to 20,000 records inside the camera | |
| | LPR Smart Search | Support | |
| Illuminator | Supplement Light | White LED Light | IR LED Light |
| | Light Bead | 6 (For White LED Light) | 9 (For IR LED Light) |
| | Illumination Distance | 20 m (IR), 20 m (White Light) | Up to 25m |
| | Light Control | Auto/Always On/Off/Customize | |
| Interface | Ethernet | 1*RJ45 10M/100M Ethernet Port | |
| | Audio I/O | 1/1 | |
| | Alarm I/O | 1/1 | |
| | Wiegand | Standard Wiegand 26-bit | |
| | RS485 | Support | |
| Video | Max. Image Resolution | 1920x1080 | |
| | Primary Stream | 60Hz: 60fps@(1920x1080, 1280x960, 1280x720, 704x576) 50Hz: 50fps@(1920x1080, 1280x960, 1280x720, 704x576) | |

Entrance & Exit Supplement Light AI LPR Pro Bullet Plus Camera

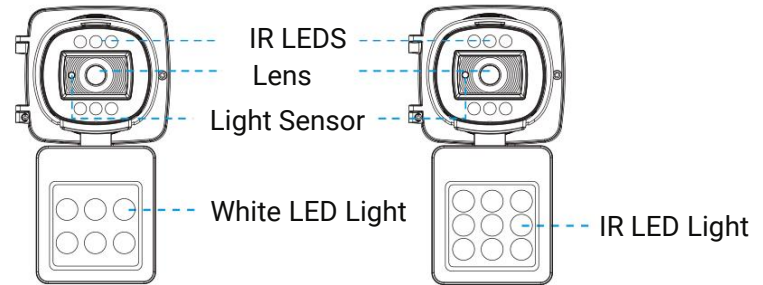
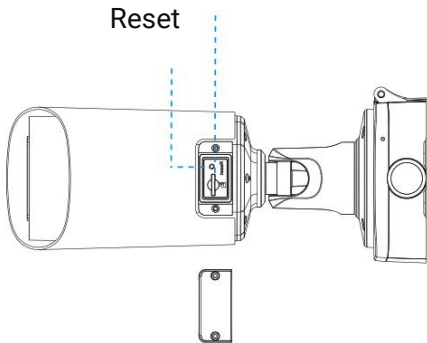


| | | |
|----------------|-----------------------|--|
| Video | Secondary Stream | 60Hz: 60fps@(704x576, 640x480, 640x360, 352x288, 320x240) 50Hz: 50fps@(704x576, 640x480, 640x360, 352x288, 320x240) |
| | Tertiary Stream | 60Hz: 30fps@(1920x1080, 1280x720, 704x576, 640x480, 640x360, 320x240) 50Hz: 25fps@(1920x1080, 1280x720, 704x576, 640x480, 640x360, 320x240) |
| | Video Compression | H.265+/H.265(HEVC)/H.264+/H.264/MJPEG |
| | Video Bit Rate | 16Kbps~16Mbps(CBR/VBR Adjustable) |
| | Privacy Masking | Up to 8 Areas (Mask Area and Mosaic Area are optional) |
| | ROI | Up to 8 areas |
| | Image Setting | Brightness/Contrast/Saturation/Sharpness |
| Network | Network Storage | NAS(Support NFS, SMB/CIFS), ANR |
| | Protocol | IPv4/IPv6, ARP, TCP, UDP, RTCP, RTP, RTSP, RTMP, HTTP, HTTPS, DNS, DDNS, DHCP, FTP, NTP, SMTP, SNMP, UPnP, Bonjour, SIP, PPPoE, VLAN, 802.1x, QoS, IGMP, ICMP, SSL |
| Audio | Audio Compression | G.711/AAC/G.722/G.726 |
| | Audio Sampling Rate | 8/16/32/44.1/48KHz |
| | Audio Bit Rate | 16~256kbps |
| | Two-way Audio | Support |
| System | System Compatibility | API, MQTT, HTTP, TCP, Wiegand Protocol, ONVIF Profile G & M & S & T |
| | Storage | microSD/SDHC/SDXC Card Local Storage, up to 1TB |
| | Advanced Function | BLC, HLC, 2D DNR, 3D DNR, Defog, AWB, IP Address Filtering, AGC, Anti-flicker, Corridor Mode, Deblur, Watermark |
| | SIP/VoIP Support | Yes, Voice & Video-over-IP |
| | Event Trigger | Black/White List, Motion Detection, Network Disconnection, External Input, Audio Alarm, etc. |
| | Event Action | FTP Upload, SMTP Upload, SD Card Record, External Output, SIP Phone, HTTP Notification, etc. |
| General | Working Temperature | -40°C~60°C |
| | Working Humidity | 0~95%(Non-condensing) |
| | Power Supply | PoE (802.3at) / DC 12V±10% |
| | Power Consumption | Min.: 3.7W (DC 12V), 4.7W(PoE) Max.: 22W (DC 12V), 23.08W(PoE) |
| | Weather Proof | Up to IP67-rated for Weather-resistant Performance |
| | Surge Protection | 4KV |
| | Weight | 1630g 2075g (With Supplement Light) |
| | Dimensions | 320mmX134mmX126mm 320mmX134mmX231mm (With Supplement Light) |
| | Warranty | 3/5 Years |
| | Certifications | EMC |
| Safety | | CE-LVD (EN IEC 62368-1) |
| Environment | | CE-ROHS (Directive (EU) 2015/863 amending 2011/65/EU) |

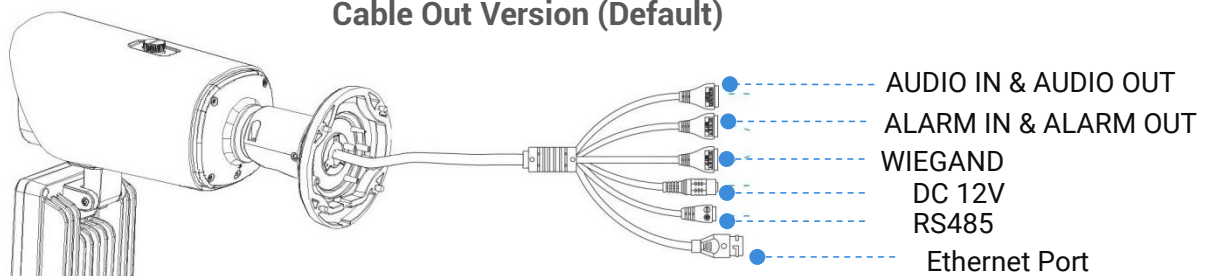


Structure Diagrams

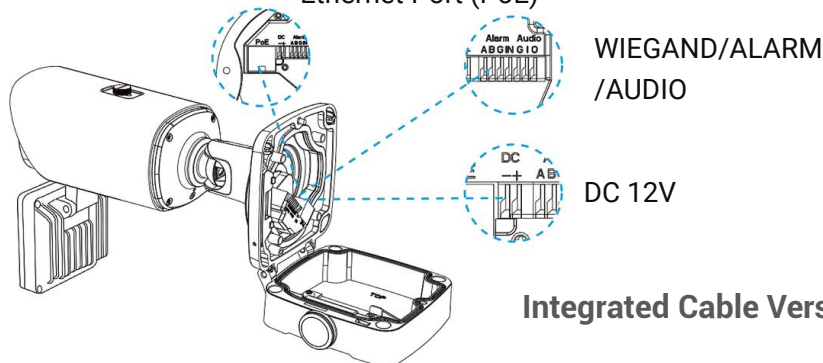
microSD/SDHC/SDXC Card Slot



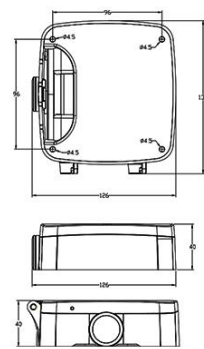
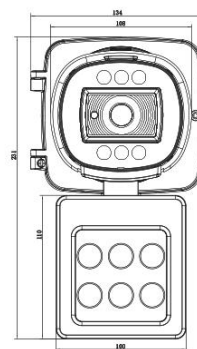
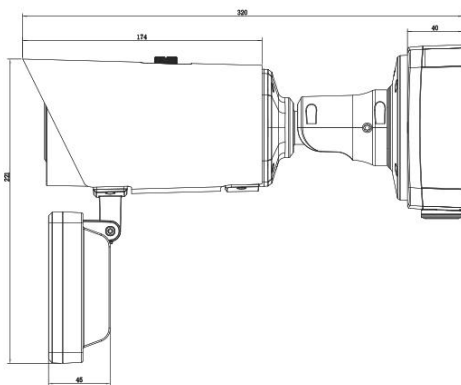
Cable Out Version (Default)



Ethernet Port (PoE)



Integrated Cable Version (Optional)



Accessories Support

A62 Junction Box

Weight: 510g

Dimensions: 134*126*40mm



A02 V2 Pole Mount

Weight: 1kg

Dimensions: 180*136*46 mm



A03 External Corner Bracket

Weight: 900g

Dimensions: 170*152.5*76.3mm

